

Staticmaster® Ion Air Source



TECHNOLOGY
& LAB



INDUSTRIAL



AUTOMOTIVE

MODEL P-2035

ALPHA



The Staticmaster® Ion Air Source is one of NRD's most powerful ionizers. When used with the Model 4165 Air Amplifier, the Model P-2035 produces balanced ionization to effectively eliminate static charges on a wide range of applications where a large area of coverage is required.

Designed for use with the Model 4165 Air Amplifier, **the Staticmaster Ion Air Source is intrinsically safe in flammable and explosive environments** and can be adjusted to produce a flow of ions strong enough to remove dust and static charges at distances of several feet.

When working in combination with the Model 4165, as the air amplifier's high velocity air leaves, additional air is pulled from behind the unit, producing up to 15 times more air volume than consumed compressed gas.

The Model P-2035 requires no electrical power and has no moving parts and either compressed air or inert gas can be used.

APPLICATIONS

- Injection molding, explosive materials manufacturing, roll film operations, assembly activities

FEATURES

- Adjustable swivel mounting bracket
- Attachable to bench, ceiling or wall
- Intrinsically safe design

BENEFITS

- Ability to swivel the cone for precise coverage
- Assurance of continuous ions
- Intrinsically safe in flammable and explosive environments
- No calibration needed

EVERY SITUATION IS UNIQUE. SO IS EVERY SOLUTION.®

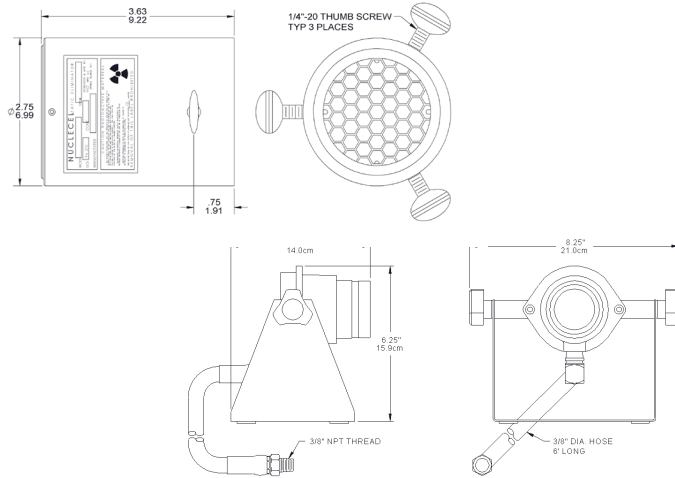


Staticmaster® Ion Air Source

MODELS P-2035

ALPHA

SCHEMATICS



SPECIFICATIONS

Activity: 40 mCi (1.48 GBq) (P2035)

Balance: ±0 V

Dimensions (MODEL P-2035): 2.75in W x 3.63in L (69.85 mm x 92.20 mm)

Dimensions (MODEL 4165): 5.50in W x 6.25in H x 8.25in L (139.7 mm x 158.75 mm x 209.55 mm)

Enclosure (MODEL P-2035): Aluminum housing, Stainless Screen

Enclosure (MODEL 4165): Steel

Gas Input: Clean Dry Air (CDA) or Nitrogen

Line Connection (MODEL 4165): Air hose 3/8 in NPT Thread

Technology: Alpha

Weight (MODEL P-2035): 14 oz (405 gm)

Weight (MODEL 4165): 3 lbs. 8 oz. (1.6kg)

DECAY RATE:

0.4 seconds (±1000 to 100V), ANSI/ESD Association STM 3.1 @30 psi, 6 inches, center

ACCESSORIES



Air Amplifier with 6' pressure hose
Model 4165

MAINTENANCE

It is necessary to replace ionizers every 12 months to maintain peak effectiveness.

NOTE ON ION SOURCE: All NRD ion sources are encapsulated in precious metals by means of a special patented process. This results in a static eliminator which, unlike competitive products, resists oxidation, solvents, heat, cold and vibration.

NOTICE: NRD expressly warrants that, for a period of one (1) year from the time of purchase, the ionizer will be free of defects in material (parts) and workmanship (labor).

NRD, LLC USA

800-525-8076
716-773-7634
Sales@NRDUSA.com
2937 Alt Boulevard
PO Box 310
Grand Island, NY
14072-0310 USA

NRD Asia Pte. Ltd.

+65 6679 1707
Sales@NRDAsia.com
114 Lavender Street
#08-90 CT Hub 2
Singapore 338729

To learn more, contact an NRD representative for a consultation at **1-800-525-8076** or visit **nrdstaticcontrol.com**.

