

# Staticmaster® Industrial Ionizing Gun, Thumb-Actuated



AUTOMOTIVE



INDUSTRIAL

MODEL P-2021-8101

ALPHA



This Staticmaster Industrial Ionizing Gun, with thumb-actuated handle, is intended for use with dry, compressed air and is ideally suited for a wide variety of industrial applications because it requires little or no maintenance and is intrinsically safe for use in flammable or explosive environments.

The Model P-2021-8101 features a high-quality gun with an ergonomic design, rugged construction and reliable performance. **The gun uses a finger-activated trigger and is self-powered by NRD's proprietary alpha ionizing cartridge, Model P-2021.**

This Staticmaster Industrial Ionizing Gun Kit, Model P-2021-8101, includes a thumb-actuated handle, P-2021 ionizing cartridge, and brass OSHA-compliant tip.

## APPLICATIONS

- Plastics, printing, packaging, auto body

## FEATURES

- Thumb-actuated trigger
- Lightweight construction
- Intrinsically safe design

## BENEFITS

- Creates cleaner surfaces
- Increases processing speeds
- Eliminates volatile solvent hazards

EVERY SITUATION IS UNIQUE. SO IS EVERY SOLUTION.®

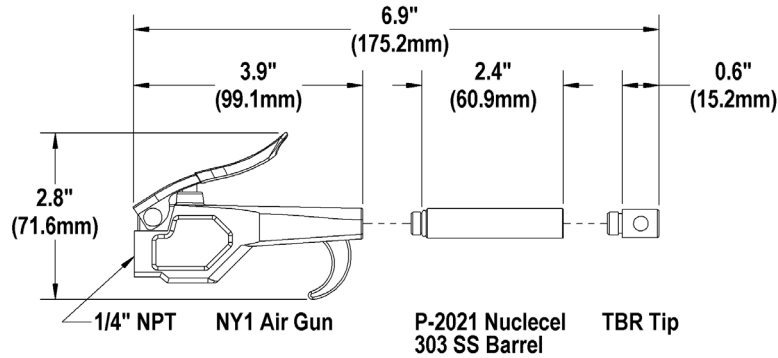


# Staticmaster™ Industrial Ionizing Gun, Thumb-Actuated

MODEL P-2021-8101

ALPHA

## SCHEMATICS



## SPECIFICATIONS

**Activity:** 10 mCi (370 MBq) (P-2021-8001) ionizer

**Balance:** ±0 V

**Dimensions:** 2.8in W x 6.9in L (71.6 mm x 175.2 mm)

**Effective Distance:** 4in – 12in (102 mm–305mm)

**Enclosure:** Stainless steel housing, Brass OSHA Tip

**Finish:** Aluminum

**Gas Input:** <40 psi (Maximum 100 psi), Clean Dry Air (CDA) or Nitrogen

**Line Connection:** 1/4 in NPT

**Technology:** Alpha

**Weight:** 8.1 oz (0.23 kg)

### DECAY RATE:

0.7 seconds (±1000 to 100V), ANSI/ESD Association STM 3.1 @ 30 psig, 6in

## ACCESSORIES



Replacement cartridge and tip  
Model P-2021-8001

Brass tip  
Model TBR



Handle with thumb-actuated style  
Model NY1

## MAINTENANCE

Product is supplied complete with ionizers. It is necessary to replace ionizers every 12 months to maintain peak effectiveness.

**NOTE ON ION SOURCE:** All NRD ion sources are encapsulated in precious metals by means of a special patented process. This results in a static eliminator which, unlike competitive products, resists oxidation, solvents, heat, cold and vibration.

**NOTICE:** NRD expressly warrants that, for a period of one (1) year from the time of purchase, the ionizer will be free of defects in material (parts) and workmanship (labor).

**NRD, LLC USA**  
800-525-8076  
716-773-7634  
Sales@NRDLLC.com  
2937 Alt Boulevard  
PO Box 310  
Grand Island, NY  
14072-0310 USA

**NRD Asia Pte. Ltd.**  
+65 6679 1707  
Sales@NRDasia.com  
114 Lavender Street  
#08-90 CT Hub 2  
Singapore 338729

To learn more, contact an NRD representative for a consultation at **1-800-525-8076** or visit **nrdstaticcontrol.com**.

