

Staticmaster® Cleanroom Ionizing Gun, Aluminum



TECHNOLOGY
& LAB



INDUSTRIAL

MODEL P-2021-5942

ALPHA



The Staticmaster Cleanroom Ionizing Gun, with aluminum handle, is ideal for cleanroom applications and is intrinsically safe in flammable or explosive environments. **From circuit boards and sensitive electronics to digital imaging and medical products, this gun kit is suited for a wide variety of critical environment and clean room applications.**

The Model P-2021-5942 features an ergonomic design, rugged construction and reliable performance. This high-quality gun requires little to no maintenance and is self-powered by NRD's proprietary alpha ionizing cartridge, Model P-2021, with a 0.5 micron filter.

This Cleanroom Ionizing Gun Kit, Model P-2021-5942, includes an SA4 white powder-coated cast aluminum handle, P-2021 ionizing cartridge, 0.5 micron filter and electropolished OSHA-compliant tip.

APPLICATIONS

- Semiconductor manufacturing, sensitive electronics, medical products assembly

FEATURES

- No external power supply
- Rugged construction
- Intrinsically safe design

BENEFITS

- No emitter points to clean
- No calibration necessary
- Ergonomic design offers comfort for users

EVERY SITUATION IS UNIQUE. SO IS EVERY SOLUTION.®

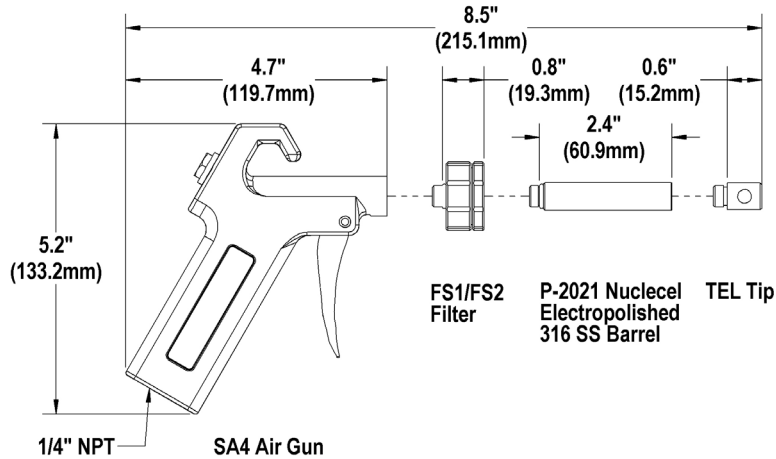


Staticmaster™ Cleanroom Ionizing Gun, Aluminum

MODELS P-2021-5942

ALPHA

SCHEMATICS



SPECIFICATIONS

Activity: 10 mCi (370 MBq) (P-2021-5002) ionizer

Balance: ±0 V

Dimensions: 5.2in W x 8.5in L (133.2 mm x 215.1 mm)

Effective Distance: 4in – 12in (102 mm–305mm)

Enclosure: Stainless steel housing, 316 Electropolished OSHA Tip

Finish: Power Coat

Gas Input: <40 psi (Maximum 100 psi), Clean Dry Air (CDA) or Nitrogen

Line Connection: 1/4 in NPT

Technology: Alpha

Weight: 9.2 oz (.26 kg)

DECAY RATE:

0.7 seconds (±1000 to 100V), ANSI/ESD Association STM 3.1 @ 30 psig, 6in

ACCESSORIES



Replacement cartridge and tip

Model P-2021-5002

Electropolished stainless steel tip

Model TEL



White powder coated aluminum handle

Model SA4

MAINTENANCE

Product is supplied complete with ionizers. It is necessary to replace ionizers every 12 months to maintain peak effectiveness.

NOTE ON ION SOURCE: All NRD ion sources are encapsulated in precious metals by means of a special patented process. This results in a static eliminator which, unlike competitive products, resists oxidation, solvents, heat, cold and vibration.

NOTICE: NRD expressly warrants that, for a period of one (1) year from the time of purchase, the ionizer will be free of defects in material (parts) and workmanship (labor).

NRD, LLC USA
800-525-8076
716-773-7634
Sales@NRD LLC.com
2937 Alt Boulevard
PO Box 310
Grand Island, NY
14072-0310 USA

NRD Asia Pte. Ltd.
+65 6679 1707
Sales@NRDAsia.com
114 Lavender Street
#08-90 CT Hub 2
Singapore 338729

To learn more, contact an NRD representative for a consultation at **1-800-525-8076** or visit **nrdstaticcontrol.com**.

