

Staticmaster® Cleanroom Gun Kit with VTE-208 Air Gun



TECHNOLOGY
& LAB



INDUSTRIAL

MODELS P-2021-5502
& P-2021-5602

ALPHA



The Staticmaster Cleanroom Gun Kits feature ergonomic designs and rugged construction. They are ideal for use with circuit boards and sensitive electronic components because they are **self-powered and will not generate sparks**.

The kits each include a VTE-208 Filtered Nitrogen Air Gun, Model P-2021 ionizing cartridge, 0.5 micron filter and electropolished OSHA-compliant tip.

These Gun Kits come cleanroom packaged (P-2021-5502) or can also be offered as standard packaged (P-2021-5602) depending on the required application.

APPLICATIONS

- BEOL, cleanroom, optics, medical parts cleaning, medical assembly

FEATURES

- Ergonomic design
- Rugged construction
- Self-powered
- Variable flow control

BENEFITS

- Comfortable for users
- Durable and long lasting
- Clean, particulate-free process
- No calibration of ion sources
- No emitter points to clean

EVERY SITUATION IS UNIQUE. SO IS EVERY SOLUTION.®

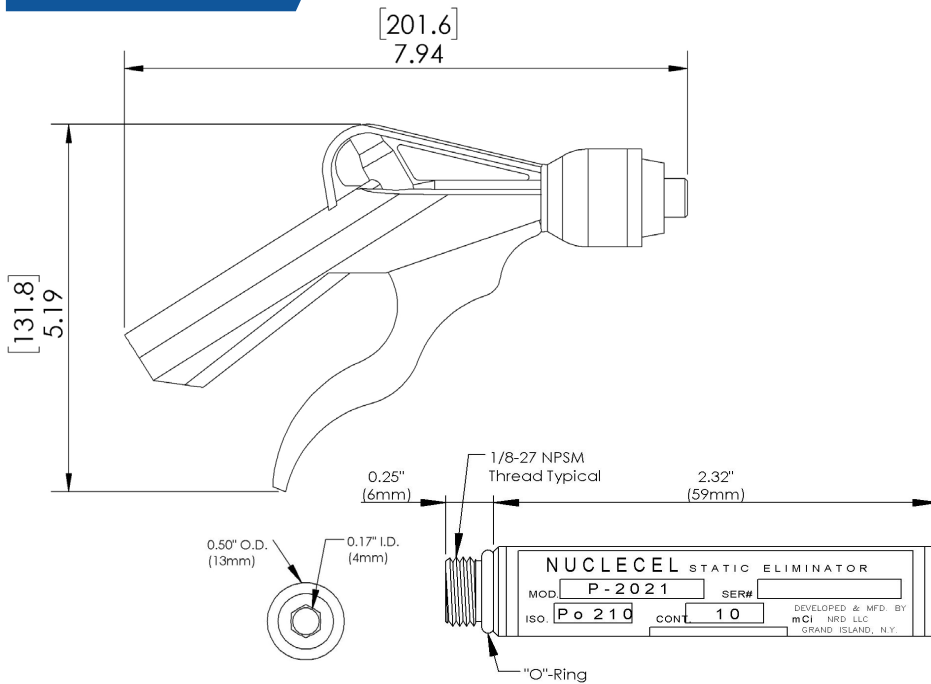


Staticmaster® Cleanroom Gun Kit With VTE-208 Air Gun

MODELS P-2021-5502 & P-2021-5602

ALPHA

SCHEMATICS



SPECIFICATIONS

Activity: 10 mCi (370 MBq)

Balance: ±0 V

Dimensions: 5.19in H x 10.26in L
(131.8 mm x 260.6 mm)

Enclosure: POM gun handle, stainless steel barrel

Gas Input: 10-80 psi, Clean Dry Air (CDA) or Nitrogen

Line Connection: 1/8 in - 27 NPSM thread male/female

Technology: Alpha

Weight: 1.3 oz (37 g)

DECAY RATE:

2 seconds (±1000 to 100V), ANSI/ESD Association STM 3.1 @30psi, 6 inches

ACCESSORIES



Replacement cartridge and tip



VTE-208 Air Gun
Model VT1

Adaptor cap for VTE-208 Air Gun
Model 4056V



0.5 Micron Filter Pack
Model 555.5

MAINTENANCE

Product is supplied complete with ionizers. It is necessary to replace ionizers every 12 months to maintain peak effectiveness.

NOTE ON ION SOURCE: All NRD ion sources are encapsulated in precious metals by means of a special patented process. This results in a static eliminator which, unlike competitive products, resists oxidation, solvents, heat, cold and vibration.

NOTICE: NRD expressly warrants that, for a period of one (1) year from the time of purchase, the ionizer will be free of defects in material (parts) and workmanship (labor).

NRD, LLC USA

800-525-8076
716-773-7634
Sales@NRDLLC.com
2937 Alt Boulevard
PO Box 310
Grand Island, NY
14072-0310 USA

NRD Asia Pte. Ltd.

+65 6679 1707
Sales@NRDAsia.com
114 Lavender Street
#08-90 CT Hub 2
Singapore 338729

To learn more, contact an NRD representative for a consultation at **1-800-525-8076** or visit **nrdstaticcontrol.com**.

