

# Staticmaster® Cleanroom Ionizing Gun, Thumb-Actuated



AUTOMOTIVE



INDUSTRIAL

MODEL P-2021-1112

ALPHA



**The Staticmaster Cleanroom Ionizing Gun, with thumb-actuated handle, is ideal for less stringent “clean” area applications, such as digital imaging and sensitive electronics.**

This high-quality gun provides reliable performance with little to no maintenance and is intrinsically safe for use in flammable or explosive environments. The Model P-2021-1112 is self-powered by NRD’s proprietary alpha ionizing cartridge, Model P-2021.

This Staticmaster Cleanroom Ionizing Gun Kit, Model P-2021-1112, includes a thumb-actuated handle, P-2021 ionizing cartridge, an in-line 0.4 micron filter and an electropolished OSHA-compliant tip.

## APPLICATIONS

- BEOL, cleanroom, optics, medical parts cleaning, medical assembly

## FEATURES

- Thumb-actuated trigger
- Lightweight construction
- Intrinsically safe design

## BENEFITS

- Creates cleaner surfaces
- Minimizes maintenance
- Easy to use

EVERY SITUATION IS UNIQUE. SO IS EVERY SOLUTION.®

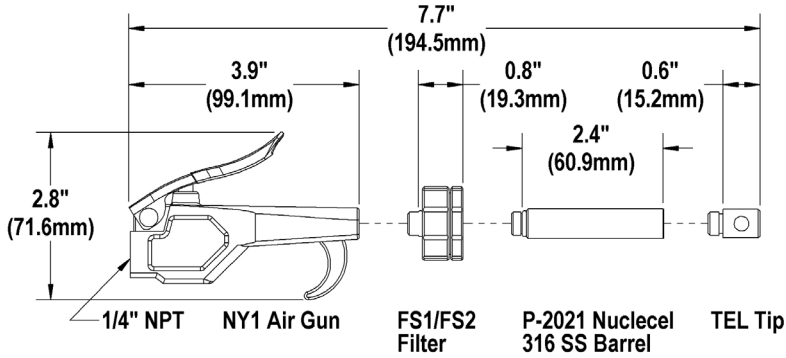


# Staticmaster™ Cleanroom Ionizing Gun, Thumb-Actuated

MODEL P-2021-1112

ALPHA

## SCHEMATICS



## SPECIFICATIONS

**Activity:** 10 mCi (370 MBq) (P-2021-1112) ionizer

**Balance:** ±0 V

**Dimensions:** 2.8in W x 7.7in L (71.6mm x 194.5 mm)

**Effective Distance:** 4in – 12in (102 mm– 305mm)

**Enclosure:** Stainless steel housing, 316 Electropolished OSHA Tip

**Finish:** Aluminum

**Gas Input:** <40 psi (Maximum 100 psi), Clean Dry Air (CDA) or Nitrogen

**Line Connection:** 1/4 in NPT

**Technology:** Alpha

**Weight:** 10.7 oz (0.30 kg)

### DECAY RATE:

0.7 seconds (±1000 to 100V), ANSI/ESD Association STM 3.1 @ 30 psig, 6in

## ACCESSORIES



**Replacement cartridge and tip**  
Model P-2021-1002

**Electropolished stainless steel tip**  
Model TEL



**Thumb-actuated style handle**  
Model NY1

## MAINTENANCE

Product is supplied complete with ionizers. It is necessary to replace ionizers every 12 months to maintain peak effectiveness.

**NOTE ON ION SOURCE:** All NRD ion sources are encapsulated in precious metals by means of a special patented process. This results in a static eliminator which, unlike competitive products, resists oxidation, solvents, heat, cold and vibration.

**NOTICE:** NRD expressly warrants that, for a period of one (1) year from the time of purchase, the ionizer will be free of defects in material (parts) and workmanship (labor).

### NRD, LLC USA

800-525-8076  
716-773-7634  
Sales@NRDLLC.com  
2937 Alt Boulevard  
PO Box 310  
Grand Island, NY  
14072-0310 USA

### NRD Asia Pte. Ltd.

+65 6679 1707  
Sales@NRDAsia.com  
114 Lavender Street  
#08-90 CT Hub 2  
Singapore 338729

To learn more, contact an NRD representative for a consultation at **1-800-525-8076** or visit **nrdstaticcontrol.com**.

