

Staticmaster® Industrial Corona Ionizing Gun



TECHNOLOGY
& LAB



INDUSTRIAL

MODEL NUMBER 6406

CORONA



Staticmaster® Industrial Corona Ionizing Gun is a highly-effective, anti-static blow-off gun ideal for use in a Class 100 cleanroom.

The Model 6406 is compact and lightweight with an ergonomic design that makes it conveniently portable. It also has a light-touch switch control for ease of use.

This hand-held, Industrial Corona Ionizing Gun features a 0.1 micron filter with an adjustable, air flow. It offers clean air flow which means it's particulate free.

APPLICATIONS

- BEOL, cleanroom, optics, medical parts cleaning, medical assembly, plastics, printing, packaging

FEATURES

- Light-touch switch control
- 0.1 micron filter
- Adjustable air flow

BENEFITS

- Lightweight
- Clean air flow
- Easy to use

EVERY SITUATION IS UNIQUE. SO IS EVERY SOLUTION.®

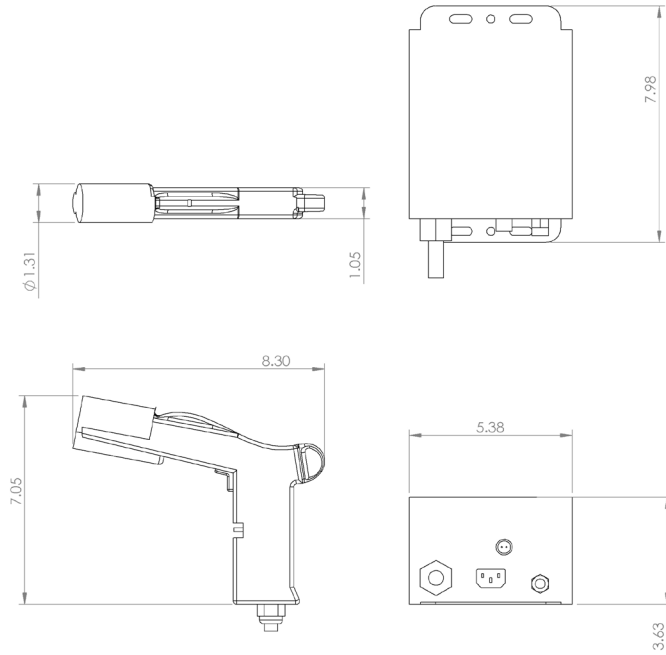


Staticmaster® Industrial Corona Ionizing Gun

MODEL NUMBER 6406

CORONA

SCHEMATICS



SPECIFICATIONS

Balance: ±10 V

Current Draw: Max 0.8A or 0.4A

Dimensions (Model 6406): 1.31in W x 7.05in H x 8.30in L (33.27 mm x 179.07 mm x 210.82 mm)

Dimensions (Transformer): 7.98in W x 3.63in H x 5.38in L (202.69 mm x 92.20 mm x 136.65 mm)

Effective Distance: 6in–12in (152 mm–305 mm)

Emitter Point: Tungsten 99.99%

Enclosure: Aluminum housing

Gas Input: 10-80 psi, Clean Dry Air (CDA) or Nitrogen

Power Supply Input Voltage: 110-220 V AC

Technology: Corona

Weight: 1 lb. (0.5 kg)

DECAY RATE: < 1.3 seconds (±1000 to 100V), ANSI/ESD Association STM 3.1 @ 30 psi, 6 inches

MAINTENANCE

It is necessary to clean and balance ionizer regularly. Clean emitter points as needed.

NOTICE: NRD expressly warrants that for a period of one (1) year from the time of purchase, the ionizer will be free of defects in material (parts) and workmanship (labor).

NRD, LLC USA

800-525-8076
716-773-7634
Sales@NRDLLC.com
2937 Alt Boulevard
PO Box 310
Grand Island, NY
14072-0310 USA

NRD Asia Pte. Ltd.

+65 6679 1707
Sales@NRDasia.com
114 Lavender Street
#08-90 CT Hub 2
Singapore 338729

To learn more, contact an NRD representative for a consultation at **1-800-525-8076** or visit **nrdstaticcontrol.com**.

