

Staticmaster® Ionizing Air Gun



TECHNOLOGY
& LAB

MODEL NUMBER 6405

CORONA



The Staticmaster Ionizing Air Gun Model 6405 is a lightweight, static eliminating gun designed for use in **removing harmful electronic charges on circuit boards and other sensitive electronics**. It is also a great tool for cleaning particulate from lenses and other optical grade products.

This Ionizing Air Gun does not require a heavy power cable to operate and its ergonomic design makes utilizing this essential tool less fatiguing for the operator. **The Model 6405 kit includes a gun, wall transformer, and power cord.**

APPLICATIONS

- PCB, sensitive electronics, optics

FEATURES

- Cleanable emitter point
- Ion balance of ± 50 V
- Life expectancy of 10,000 hours
- Ergonomic Design

BENEFITS

- Neutralizes static charge immediately
- Offers a cleaner process
- Less fatiguing for the operator

EVERY SITUATION IS UNIQUE. SO IS EVERY SOLUTION.™

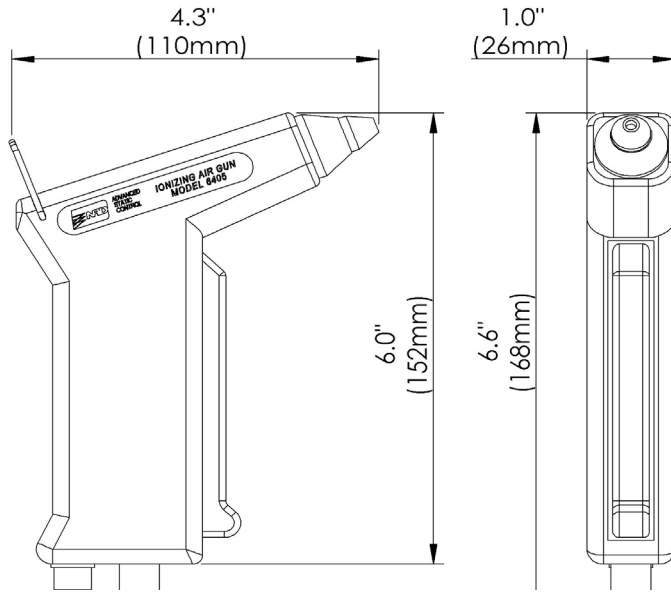


Staticmaster® Ionizing Air Gun

MODEL NUMBER 6405

CORONA

SCHEMATICS



SPECIFICATIONS

Balance: ± 50 V

Dimensions: 1 in W x 6.6 in H x 4.3 in L
(26 mm x 168 mm x 110 mm)

Gas Input: 10-80 psi, Clean Dry Air (CDA)
or Nitrogen

LED Indicators: Green - Power On;
Red - Alarm

Line Connection: 6 mm O.D. tubing

Operating Humidity: 0-80%

Operating Temp: 10° C-40° C

Operating Voltage: 24 V DC

Power Supply Input Voltage:
100-240 V AC

Technology: Piezoelectric AC

Weight: 0.6 lbs. (0.28kg)

DECAY RATE: <1 sec @ 6", 30 psi (±1000-
100V), ANSI/ESD Association STM 3.1

MAINTENANCE

It is necessary to clean and balance ionizer regularly. Clean emitter points as needed.

NOTICE: NRD expressly warrants that, for a period of one (1) year from the time of purchase, the ionizer will be free of defects in material (parts) and workmanship (labor).

NRD, LLC USA

800-525-8076
716-773-7634
Sales@NRDLLC.com
2937 Alt Boulevard
PO Box 310
Grand Island, NY
14072-0310 USA

NRD Asia Pte. Ltd.

+65 6679 1707
Sales@NRDAsia.com
114 Lavender Street
#08-90 CT Hub 2
Singapore 338729

To learn more, contact an NRD representative for a consultation at
1-800-525-8076 or visit **nrdstaticcontrol.com**.

