

Staticmaster® Heated Ionizer Fan



TECHNOLOGY
& LAB



INDUSTRIAL

MODEL NUMBER 6215

CORONA



The Staticmaster Heated Ionizing Fan Model 6215 is **designed for use with sensitive electronic components where electrostatic discharge is a challenge**. By producing an environment rich in both positive and negative ions, this Heated Ionizing Fan focuses **direct, but non-disruptive airflow**, onto objects to remove the static charge.

The Heated Ionizing Fan helps address static control issues, such as eliminating attraction of dirt to product, misalignment of small parts due to electrostatic “jumping” and undesirable adhesion of plastic films due to electrostatic charge.

APPLICATIONS

- PCB, electronic assembly, medical device assembly

FEATURES

- Three, warm airflow speed settings
- Small, lightweight and portable design
- Patented balanced ion output
- Ionization indicator lamp for monitoring
- Built-in emitter point cleaner

BENEFITS

- Static-free parts
- Comfortable for users in cool environments
- Easily moved for targeted ionization
- Reduced maintenance time

EVERY SITUATION IS UNIQUE. SO IS EVERY SOLUTION.™

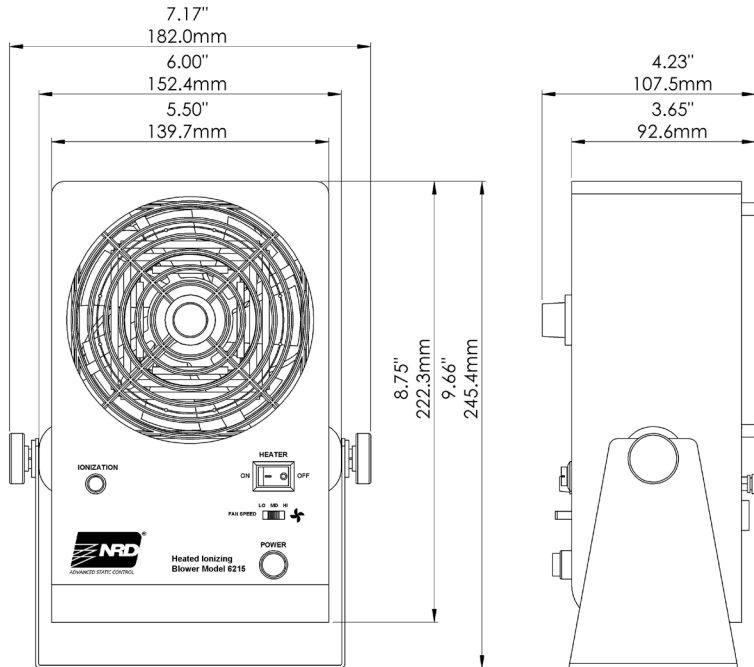


Staticmaster® Heated Ionizer Fan

MODEL NUMBER 6215

CORONA

SCHEMATICS



SPECIFICATIONS

Airflow: Low speed, 45 CFM (21.24 L/s); Med speed, 70 CFM (33.04 L/s); High speed, 90 CFM (42.48 L/s)

Balance: ±25 V

Current Draw: 2.70 Amp (heater on); 0.2 Amp (heater off)

Dimensions: 4.2in W x 9.7in H x 7.2in L (110 mm x 250 mm x 180 mm)

Enclosure: Alloy housing

Finish: Powder Coat

Operating Temp: 0° C-50° C

Power Supply Input Voltage: 110 V AC

Technology: AC

Weight: 5.5 lbs. (2.5kg)

DECAY RATE: <1.3 seconds (±1000 to 100V), ANSI/ESD Association STM 3.1 @ 1 foot, center

MAINTENANCE

It is necessary to clean and balance ionizer regularly. Clean emitter points as needed.

NOTICE: NRD expressly warrants that, for a period of one (1) year from the time of purchase, the ionizer will be free of defects in material (parts) and workmanship (labor).

NRD, LLC USA

800-525-8076
716-773-7634
Sales@NRDUSA.com
2937 Alt Boulevard
PO Box 310
Grand Island, NY
14072-0310 USA

NRD Asia Pte. Ltd.

+65 6679 1707
Sales@NRDAsia.com
114 Lavender Street
#08-90 CT Hub 2
Singapore 338729

To learn more, contact an NRD representative for a consultation at **1-800-525-8076** or visit **nrdstaticcontrol.com**.

