

# Staticmaster® Mini Ionizer Fan



TECHNOLOGY  
& LAB



INDUSTRIAL

MODEL NUMBER 6213

CORONA



The Staticmaster Mini Ionizer Fan produces an airflow of both positive and negative ions. Directing the airflow of the fan onto an object with a static charge will neutralize the charge.

The Model 6213 is easily portable and uses a small fan to produce airflow. The volume of airflow is controlled by a **seven-speed control switch, which provides a wide range of airflow settings.** To assure that the unit is working properly, the high voltage is monitored by an ionization indicator lamp.

**The Mini Ionizer Fan was designed for use with sensitive electronic components,** where electrostatic discharge is an issue. This Model 6213 can also be used in other situations where static electricity poses a challenge such as, attraction of dirt to product, misalignment of small parts due to electrostatic “jumping” and undesirable adhesion of plastic films.

## APPLICATIONS

- PCB, electronic assembly, pharmaceutical manufacturing, medical device assembly, packaging and small product molding

## FEATURES

- Auto ion balance
- Ionization indicator light
- Adjustable air volume and fan direction

## BENEFITS

- Easy installation on surface or wall
- Easily rotated for targeted ionization
- Reliable ionization using indicator lights

EVERY SITUATION IS UNIQUE. SO IS EVERY SOLUTION.®

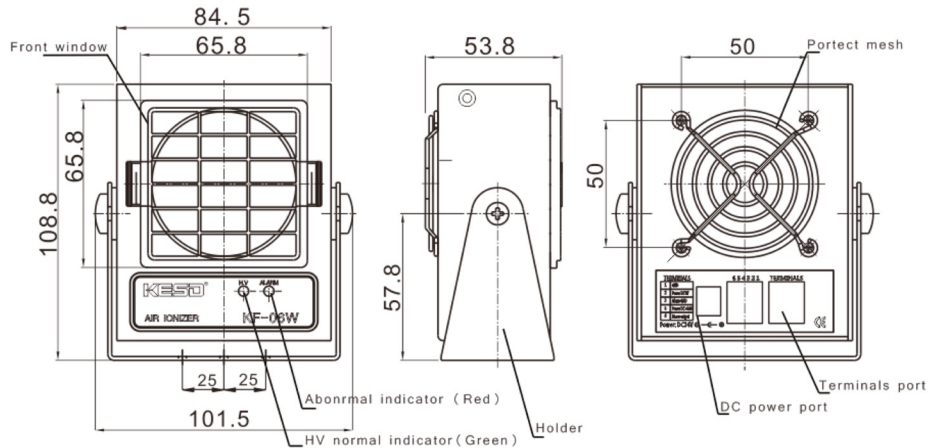


# Staticmaster® Mini Ionizer Fan

MODEL NUMBER 6213

CORONA

## SCHEMATICS



## SPECIFICATIONS

**Airflow:** 25.1 CFM (710.7 L/s)

**Alarm Function:** Out of range

**Balance:**  $\pm 10$  V

**Dimensions:** 2.1in W x 4.28in H x 3.99in L  
(53.8 mm x 108.8 mm x 101.5 mm)

**Effective Distance:** 8 in – 12 in  
(200 mm–300 mm)

**Emitter Point:** Tungsten 99.99%

**Enclosure:** Aluminum housing

**LED Indicators:** Green - Power On; Red - Alarm

**Operating Voltage:** 24 V DC

**Power Supply Input Voltage:** 110-220 V AC

**Technology:** Corona

**Weight:** 3.3 lbs. (1.5 kg)

**DECAY RATE:** 1.3 seconds, ( $\pm 1000$  to 100V),  
ANSI/ESD Association STM 3.1 @ 1 foot,  
center

## MAINTENANCE

It is necessary to clean and balance ionizer regularly. Clean emitter points as needed.

**NOTICE:** NRD expressly warrants that, for a period of one (1) year from the time of purchase, the ionizer will be free of defects in material (parts) and workmanship (labor).

### NRD, LLC USA

800-525-8076  
716-773-7634  
Sales@NRDUSA.com  
2937 Alt Boulevard  
PO Box 310  
Grand Island, NY  
14072-0310 USA

### NRD Asia Pte. Ltd.

+65 6679 1707  
Sales@NRDAsia.com  
114 Lavender Street  
#08-90 CT Hub 2  
Singapore 338729

To learn more, contact an NRD representative for a consultation at  
**1-800-525-8076** or visit **nrdstaticcontrol.com**.

