

Staticmaster® Standard Ionizing Fan



INDUSTRIAL

MODEL NUMBER 6210

CORONA



The Staticmaster® Standard Ionizing Fan is designed to be compact and lightweight and can be used either sitting on a work surface or mounted on a wall or shelf.

The dual fan speeds and compact size makes this fan an excellent choice for a wide variety of industrial electronics assembly-based applications.

In addition, the Model 6210 offers Steady-State DC ionization, low offset voltage, easy clean emitter pins, and automatic balancing of the ionization system.

APPLICATIONS

- Electronic assembly, printing, medical applications

FEATURES

- Steady-State DC technology
- Low offset voltage
- Automatic balancing
- Dual Speed

BENEFITS

- Easy to install
- Easy-to-clean emitter pins
- Versatile in use

EVERY SITUATION IS UNIQUE. SO IS EVERY SOLUTION.™

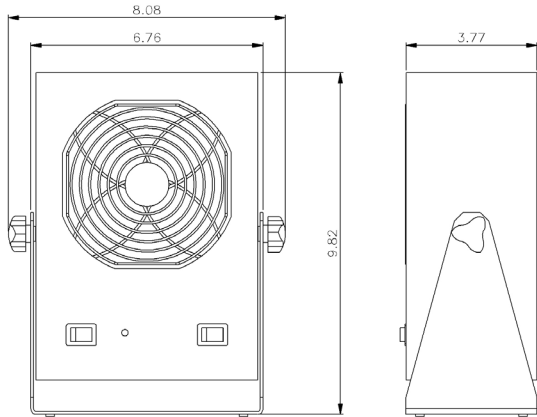


Staticmaster® Standard Ionizing Fan

MODEL NUMBER 6210

CORONA

SCHEMATICS



SPECIFICATIONS

Airflow: High speed, 250 lfpm

Dimensions: 3.77in W x 9.82in H x 8.08in L (95.76 mm x 249.43 mm x 205.23mm)

Emitter Point: Tungsten 99.99%

Enclosure: Aluminum housing

Power Supply Input Voltage: 120 V DC

Technology: Corona

Weight: 7 lbs. (3.17 kg)

DECAY RATE: 1 second (± 1000 to 100V), ANSI/ESD Association STM 3.1 @ 1 foot, center

MAINTENANCE

It is necessary to clean and balance ionizer regularly. Clean emitter points as needed.

NOTICE: NRD expressly warrants that, for a period of one (1) year from the time of purchase, the ionizer will be free of defects in material (parts) and workmanship (labor).

NRD, LLC USA

800-525-8076
716-773-7634
Sales@NRDUSA.com
2937 Alt Boulevard
PO Box 310
Grand Island, NY
14072-0310 USA

NRD Asia Pte. Ltd.

+65 6679 1707
Sales@NRDAsia.com
114 Lavender Street
#08-90 CT Hub 2
Singapore 338729

To learn more, contact an NRD representative for a consultation at **1-800-525-8076** or visit **nrdstaticcontrol.com**.

