

Staticmaster® High-Output Ionizing Fan



TECHNOLOGY
& LAB



INDUSTRIAL

MODELS 4065

ALPHA



The Staticmaster® High-Output Ionizing Fan offers a higher concentration of ions utilizing NRD's proprietary alpha ionizing technology. When used in combination with the Model P-2060 ionizing cartridge, the **Model 4065 is ideally suited for electronics applications, where a wide area of coverage is desired.**

NRD's unique technology eliminates the need for constant recalibration normally associated with other types of ionizing technologies.

The Model 4065 ionizing fan produces balanced static control down to zero volts. This model's design has a large diameter opening allowing for a high air volume to pass through the ionizer creating an abundance of ions to neutralize static charge.

APPLICATIONS

- Cleanroom, bench-top electronic assembly, dispensing, medical device assembly

FEATURES

- 2-speed fan
- Small size
- Easy-to-operate design

BENEFITS

- Wide area of coverage
- No calibration required
- Balanced static control to zero volts

EVERY SITUATION IS UNIQUE. SO IS EVERY SOLUTION.®

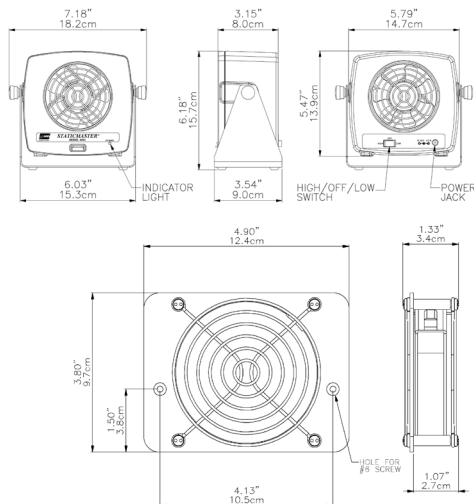


Staticmaster® High-Output Ionizing Fan

MODELS 4065

ALPHA

SCHEMATICS



ACCESSORIES



Ionizing Ring for Fan
Model P-2060

MAINTENANCE

It is necessary to replace ionizers every 12 months to maintain peak effectiveness.

NOTE ON ION SOURCE: All NRD ion sources are encapsulated in precious metals by means of a special patented process. This results in a static eliminator which, unlike competitive products, resists oxidation, solvents, heat, cold and vibration.

NOTICE: NRD expressly warrants that, for a period of one (1) year from the time of purchase, the ionizer will be free of defects in material (parts) and workmanship (labor).

SPECIFICATIONS

Activity: 23.1 mCi (855 MBq) (P-2060)

Airflow: Low speed, 225.2 SFPM; High speed, 228.3 SFPM

Balance: ± 0 V

Current Draw: 2 W

Dimensions: 3.54in W x 6.18in H x 7.18in L (90 mm x 157 mm x 182 mm)

Enclosure (MODEL 4065): ABS/PC housing, metal base

Enclosure (MODEL P-2060): Stainless Steel

Fan Flow Rating: 51.5 CFM (0.02 m²/s)

Finish: ABS

Output Monitoring: FMS Interface

Power Supply Input Voltage: 120 V AC

Technology: Alpha

Weight (MODEL 4065): 1.5 lbs. (0.7 kg)

Weight (MODEL P-2060): 7.8 oz (231 g)

DECAY RATE:

< 2 seconds (± 1000 to 100V), ANSI/ESD Association STM 3.1 @ 1 foot, center

NRD, LLC USA

800-525-8076
716-773-7634
Sales@NRDUSA.com
2937 Alt Boulevard
PO Box 310
Grand Island, NY
14072-0310 USA

NRD Asia Pte. Ltd.

+65 6679 1707
Sales@NRDAsia.com
114 Lavender Street
#08-90 CT Hub 2
Singapore 338729

To learn more, contact an NRD representative for a consultation at **1-800-525-8076** or visit **nrdstaticcontrol.com**.

