

Staticmaster® Cleanroom Fan



TECHNOLOGY
& LAB



INDUSTRIAL

MODELS 4064 & 4064SS

ALPHA

The Staticmaster Cleanroom fan is used to **create airflow through the Nuclecel model P-2063 ion cell**. This system is highly effective in eliminating static charge on parts and components, delivering a high volume of ionized air to neutralize static charge.

This dual-speed benchtop ionizing fan is offered in two finishes: powder coated (Model 4064) and stainless steel (Model 4064ss). It's compact and easily adjustable and can fit on most workbenches. It can also be attached to any surface and mounted in any orientation by securing the base to a rigid support.

When using the benchtop ionizing fan, the ideal neutralization time for the target is when it's placed 12" to 48" directly in front of the ionizing fan and increases as the distance increases.



APPLICATIONS

- PCB, BEOL, electronic assembly, molded parts, roll film, medical devices, injection molding

FEATURES

- Dual-speed operation
- Compact, adjustable design
- Indicator light showing ion delivery

BENEFITS

- Balanced output of ± 0 V for consistent protection
- No particulate with alpha ionization technology
- User confidence in reliable ion delivery
- No calibration of ion sources
- No emitter points to clean

EVERY SITUATION IS UNIQUE. SO IS EVERY SOLUTION.™

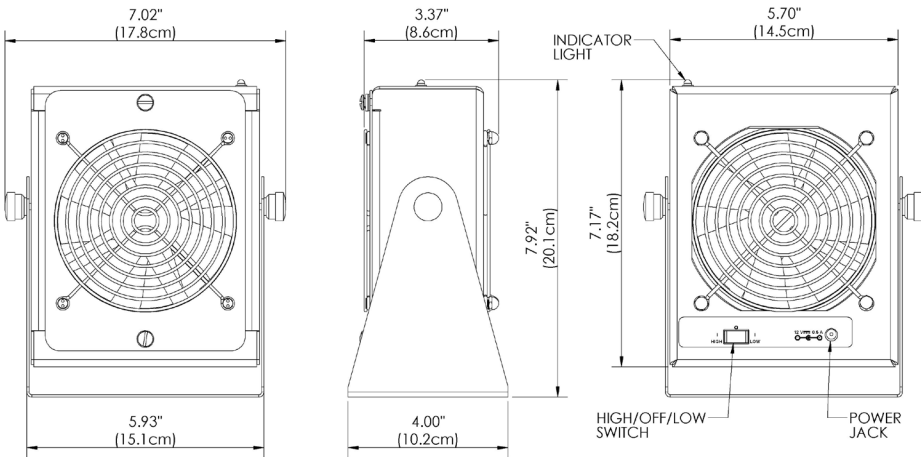


Staticmaster® Cleanroom Fan

MODELS 4064 & 4064SS

ALPHA

SCHEMATICS



SPECIFICATIONS

Activity: 31.5 mCi (1166 MBq) (P-2063 ionizer)

Dimensions: 3.37in W x 7.92in H x 7.02in L (86 mm x 201 mm x 178 mm)

Enclosure (MODEL 4064): Aluminum housing

Enclosure (MODEL 4064ss): Stainless steel housing

Fan Flow Rating: 116.0 CFM (3.28 m³/s)

Finish (MODEL 4064): Powder Coat

Operating Voltage: 12 V DC

Power Supply Input Voltage: 110-240 V AC

Technology: Alpha

Weight: 4.2 lbs. (1.9 kg)

DECAY RATE: 1.21+, 1.42- (low speed) .97+, 1.18- (high speed) (±1000 to 100V), ANSI/ESD Association STM 3.1 @ 1 foot, center

ACCESSORIES



Ionizing Ring For Fans
Model P-2063

MAINTENANCE

Product is supplied complete with ionizers. It is necessary to replace ionizers every 12 months to maintain peak effectiveness.

NOTE ON ION SOURCE: All NRD ion sources are encapsulated in precious metals by means of a special patented process. This results in a static eliminator which, unlike competitive products, resists oxidation, solvents, heat, cold and vibration.

NOTICE: NRD expressly warrants that, for a period of one (1) year from the time of purchase, the ionizer will be free of defects in material (parts) and workmanship (labor).

NRD, LLC USA
800-525-8076
716-773-7634
Sales@NRDLLC.com
2937 Alt Boulevard
PO Box 310
Grand Island, NY
14072-0310 USA

NRD Asia Pte. Ltd.
+65 6679 1707
Sales@NRDAsia.com
114 Lavender Street
#08-90 CT Hub 2
Singapore 338729

To learn more, contact an NRD representative for a consultation at **1-800-525-8076** or visit **nrdstaticcontrol.com**.

