

Staticmaster® Ionizing Cartridges



TECHNOLOGY
& LAB



INDUSTRIAL

MODELS 2U500, 1U400, 1U200 & 1U200S

ALPHA



Model 2U500



Model 1U400

Staticmaster® Ionizing Cartridges are the only self-powered static eliminators available today. Their small profile makes them an ideal solution for in-balance static elimination. They eliminate the problem of “fly-away” powders and inaccurate measurements in **analytical and precision weighing applications as well as semiconductor, In-Tool, glovebox and forensic environments.**

These ionizing cartridges utilizing NRD’s proven alpha ionizing technology can be easily mounted within a balance chamber, assuring quick and accurate measurements. They offer “zero-volts balance” technology, which means that they can effectively remove all of the static charge present in your media and samples, ensuring accurate weighing.

Staticmaster Ionizing Cartridges are available in four variations including, Model 2U500, Model 1U400, Model 1U200 and Model 1U200S.

Each Ionizing Cartridge offers optional accessory, Model 5060 Grounding Kit, to provide a faster static elimination time for your process. Extensive testing has shown that adding the Grounding Kit to the alpha ionizer can significantly increase the performance of these advanced static eliminator solutions.

APPLICATIONS

- Installation inside equipment, narrow webs, small trimming jobs, analytical and precision weighing, semiconductor, microscopy, microtome sectioning, DNA process

FEATURES

- Small and conveniently portable
- No shock hazard
- No external power supply

BENEFITS

- More accurate measurements
- Static free samples
- Fits easily into small spaces

EVERY SITUATION IS UNIQUE. SO IS EVERY SOLUTION.®



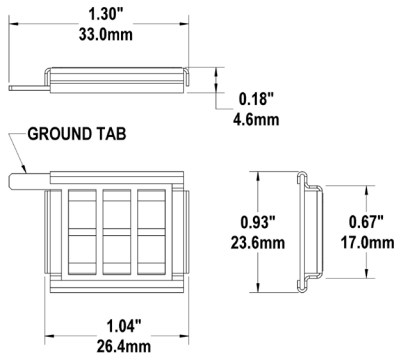
Staticmaster® Ionizing Cartridges

MODEL 2U500, 1U400, 1U200 & 1U200S

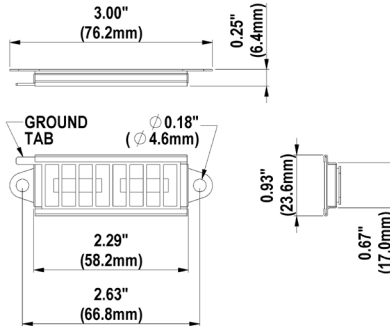
ALPHA

SCHEMATICS

Model 1U400



Model 2U500



SPECIFICATIONS

Activity (MODEL 2U500 & 1U400): 0.5 mCi (18.5 MBq)

Activity (MODEL 1U200): 0.25mCi (9.25 MBq)

Activity (MODEL 1U200S): 0.10mCi (3.7 MBq)

Balance: ±0 V

Dimension (MODEL 2U500): 0.25in W x 0.93in H x 3in L (6.4 mm x 23.6 mm x 76.2 mm)

Dimension (MODEL 1U400, 1U200 & 1U200S): 0.18in W x 0.93in H x 1.30in L (4.6 mm x 23.6 mm x 33 mm)

Effective Distance: 1 in – 2 in (25.4 mm - 50.8 mm)

Enclosure: Stainless Steel

Technology: Alpha

Weight (MODEL 2U500): 0.4 oz (11.34 g)

Weight (MODEL 1U400, 1U200 & 1U200S): 0.1 oz (2.83 g)

DECAY RATE:

.44 seconds grounded (±1000 to 100V), ANSI/ESD Association STM 3.1 @ 1 inch

ACCESSORIES



Grounding Kit
Model 5060



**Mount for 1U200,
1U200S & 1U400**
Model BF4 EZ



**Positioner for
two (2) 2U500s**
Model BF2-1000



Mount for 2U500
Model BF3 EZ



Positioner for 2U500
Model BF1-500



**Mini Fan used
with 2U500**
Model 4068

MAINTENANCE

Product is supplied complete with ionizers. It is necessary to replace ionizers every 12 months to maintain peak effectiveness.

NOTE ON ION SOURCE: All NRD ion sources are encapsulated in precious metals by means of a special patented process. This results in a static eliminator which, unlike competitive products, resists oxidation, solvents, heat, cold and vibration. **This device is not serial numbered.**

NOTICE: NRD expressly warrants that for a period of one (1) year from the time of purchase, the ionizer will be free of defects in material (parts) and workmanship (labor). **NRC exempt device in USA.**

NRD, LLC USA
800-525-8076
716-773-7634
Sales@NRDLLC.com
2937 Alt Boulevard
PO Box 310
Grand Island, NY
14072-0310 USA

NRD Asia Pte. Ltd.
+65 6679 1707
Sales@NRDAsia.com
114 Lavender Street
#08-90 CT Hub 2
Singapore 338729

To learn more, contact a knowledgeable NRD representative at **1-800-525-8076** or visit **nrdstaticcontrol.com**.

