

Installation / Maintenance

Neutralizer® AC

Battery Replacement and Disposal

Model 6500

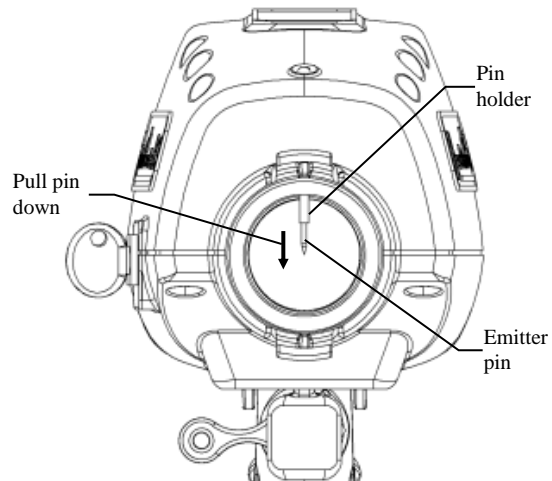
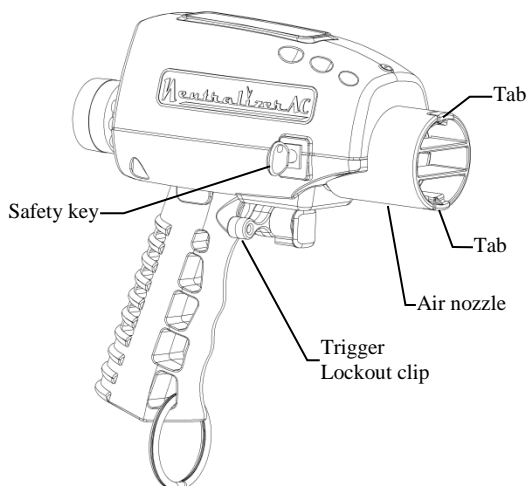
- When the battery no longer holds a charge it is time to replace it.
- Refer to NRD's website, www.theneutralizerac.com, to place your order for a new battery and obtain directions on how to return the old battery.

NOTE: The battery must be returned to NRD for proper disposal, batteries cannot go in the garbage.

Battery Removal

Model 6500

Remove the battery as follows:



1. Turn off the compressed air.
2. **CAUTION:** To avoid electrical shock hazard insert the safety key into the battery jack and attach the trigger lockout clip behind the trigger.
3. Carefully squeeze tabs together and slide air nozzle off of the Neutralizer® AC Ionizing Blow Gun.
4. Using a pair of tweezers or pliers remove emitter pin from the pin holder, then through the outlet hole of the ionizer. Dispose of the emitter pin. **CAUTION:** do not bend the pin holder.



2937 Alt Boulevard / PO Box 310 / Grand Island, NY 14072-0310
PHONE 716 773 7634 / FAX 716 773 7744 / EMAIL sales@nrdinc.com / WEB www.theneutralizerac.com

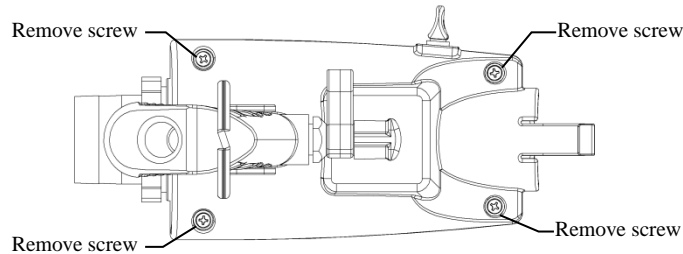
Installation / Maintenance

Neutralizer® AC

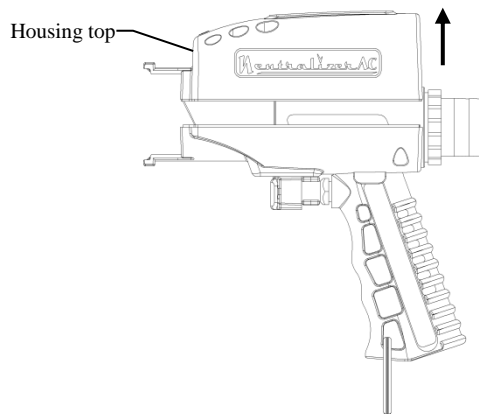
Battery Removal Model 6500

Remove the battery as follows: (cont'd)

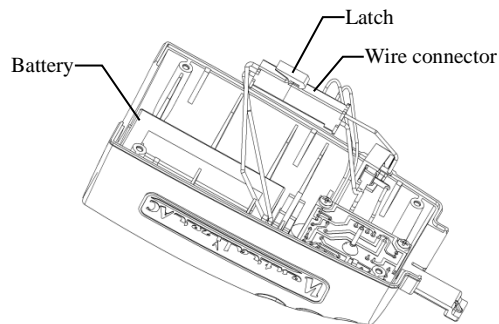
5. Remove the four (4) phillips head screws.



6. Lift the housing top up off of the air gun.
Caution: do not over-stretch wires when opening the housing.



7. Squeeze latch on the wire connector and pull the connector apart to disconnect and remove the battery.



2937 Alt Boulevard / PO Box 310 / Grand Island, NY 14072-0310
PHONE 716 773 7634 / FAX 716 773 7744 / EMAIL sales@nrdinc.com / WEB www.theneutralizerac.com