

# Instructions

## Staticmaster® Ionizing Air Gun Model 6405



### Contents

Precautions	1	5. Maintenance	3
1. Features and Descriptions	2	6. Technical Specifications	3
2. Installation	2	7. Dimensions	3
3. Operation	2	8. Warranty	3
4. Alarm LED	2		

### Please Observe The Following

#### NOTICE

Please review the information in this manual prior to operating the Ionizing Air Gun in a work environment.

#### NOTICE

Please keep this document in a convenient place to refer to as a guide.

#### \*WARNING

Do not use this product in a flammable atmosphere.

#### \*WARNING

Do not submerge in water. If liquid enters product, disconnect the power cord and allow to thoroughly dry before using again.

#### \*WARNING

Do not operate in an area where it can be splashed with water, oil, or in a hot and humid location. Especially a very humid place with the possibility of condensation forming should be avoided.

#### \*WARNING

Do not drop or apply hard, sharp impact, this device contains a sensitive Piezo transformer.

#### \*WARNING

Before performing any maintenance, turn off and disconnect the Ionizing Air Gun from power and air supplies.



2937 Alt Boulevard / PO Box 310 / Grand Island, NY 14072-0310 /  
PHONE 716 773 7634 / FAX 716 773 7744 / EMAIL sales@nrdlc.com / WEB  
www.nrdlc.com

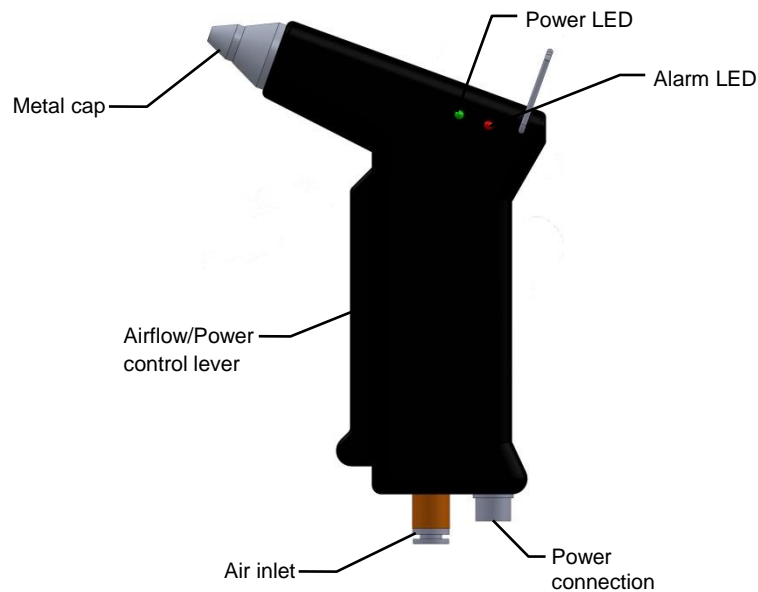
## 1. Features and Description

### 1-1. Features

- Neutralizes static charge on objects immediately.
- Removes dust attached by static electricity.
- Cleanable emitter point.
- Ion balance of  $\pm 50$  V.
- Life expectancy is 10,000 hours.

### 1-2. Description

This ionizer applies high-frequency-high-voltage from the high-voltage transformer to the emitter point, giving off alternating current corona discharge toward the metal cap (earth electrode), producing positive and negative ions. Compressed air (or inert gas), carries the ionized air to neutralize static and remove dust on the charged object(s).



## 2. Installation

Warranty Note: failure to use clean, dry, filtered, compressed air will VOID warranty.

- Connect supplied AC power adaptor wire to the power connection on the Ionizing Air Gun.
- Connect air hose, 6mm outside diameter, to the air inlet of the Ionizing Air Gun.
- Plug AC power adaptor into an AC outlet.
- Connect air hose to a clean, dry, and filtered compressed air supply.

## 3. Operation

- Open air supply valve and adjust to desired pressure, 35 psig is recommended. (80 psig maximum)

- Point the Ionizing Air Gun at the target to have the static charge removed.
- Depress the airflow/power control lever to begin airflow and activate the Ionizing Air Gun. The green power LED will be lit to verify that the ionizer is activated.

### 4. Alarm LED (red LED)

The red LED indicates that the ionizer is operating in abnormal condition. Possible causes are:

- Metal cap is loose.
- Emitter point needs to be cleaned.
- High-voltage output is insufficient.



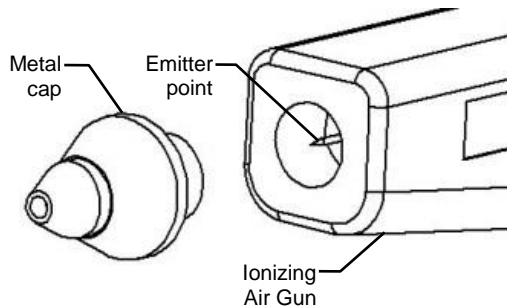
2937 Alt Boulevard / PO Box 310 / Grand Island, NY 14072-0310 /  
PHONE 716 773 7634 / FAX 716 773 7744 / EMAIL sales@nrdlc.com / WEB  
www.nrdllc.com

## 5. Maintenance

Note: Before performing any maintenance, turn off and disconnect the Ionizing Air Gun from power and air supplies.

### Emitter Point and Metal Cap Cleaning

- Unscrew metal cap from the Ionizing Air Gun.
- Clean emitter point with a nylon brush (do not use a wire brush). A cotton swab with DI water or Isopropyl Alcohol may also be used. **Caution**, the emitter point is very sharp.
- After cleaning, make sure ionizer is dry before turning power on.



Note: Cleaning requirements of emitter points will vary based on operating environment and use. Recommended cleaning interval is once a month to once every other month.

## 8. Warranty

### Limited Warranty

NRD expressly warrants that for a period of one (1) year from the time of purchase, the ionizer will be free of defects in material (parts) and workmanship (labor). Within the warranty period, the ionizer will be tested, repaired, or replaced at discretion of NRD, free of charge. Any ionizer under warranty should be shipped prepaid to the NRD factory. Call Customer Service at (716) 773-7634 for a Return Authorization number and shipping instructions. Include a copy of your original packing slip, invoice, or other proof of purchase date.

If the ionizer is out of warranty, NRD LLC will quote repair charges necessary to bring your ionizer up to factory standards.

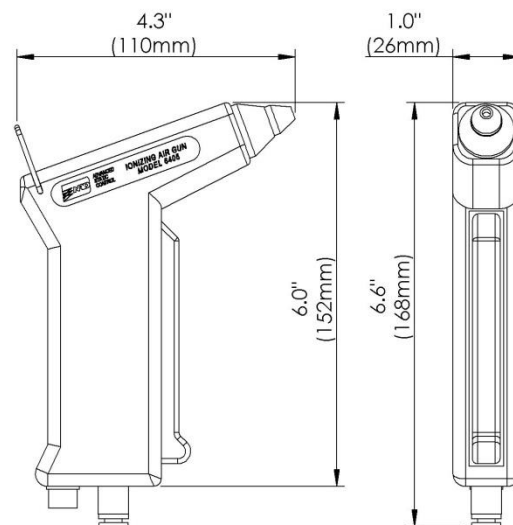


2937 Alt Boulevard / PO Box 310 / Grand Island, NY 14072-0310 /  
PHONE 716 773 7634 / FAX 716 773 7744 / EMAIL sales@nrdllc.com / WEB  
www.nrdllc.com

## 6. Technical Specifications:

Input Voltage:	24 V DC
Output Voltage:	Approximately 2 kV
Ion Balance:	±50 V
Gas:	Clean, dry, compressed air (or inert gas)
Pressure:	80 psi (5.5 bar) maximum
Air Volume:	3.5 SCFM at 35 psi (2.4 bar)
Line Connection:	6 mm O.D. tubing
Ambient conditions:	10°C ~ 40°C (50°F ~ 104°F), 80% R.H. or lower
Power cord:	8' (2.5m) cord with AC Adaptor
Weight:	9.9 oz. (280 g)

## 7. Dimensions



### Warranty Exclusions

The forgoing express warranty is made in lieu of all other product warranties, expressed and implied, including merchantability and fitness for a particular purpose that is specifically disclaimed. The express warranty will not apply to defects or damage due to accidents, neglect, misuse, alterations, operator error, or failure to properly maintain, clean or repair products.

### Limit of Liability

The user shall determine the suitability of the product for their intended use, and the user assumes all risk and liability whatsoever in connection therein.