

Staticmaster® Model 6221 Overhead Ionizer



Contents

| | |
|------------------------------|---|
| Precautions | 2 |
| 1. Features and Descriptions | 3 |
| 2. Installation | 3 |
| 3. Maintenance | 3 |
| 4. Specifications | 4 |
| 5. Dimensions | 4 |
| 6. Control Panel Diagram | 5 |
| 7. Trouble Shooting Guide | 5 |
| 8. Warranty | 6 |



NRD USA / 2937 Alt Boulevard / PO Box 310 / Grand Island, NY 14072-0310
PHONE 716 773 7634 / FAX 716 773 7744 / EMAIL sales@nrdlc.com / WEB www.nrdllc.com

NRD Asia Pte. Ltd / 114 Lavender Street #08-90 CT Hub 2 Singapore 338729
PHONE +65 6679 1707 / EMAIL sales@NRDasia.com / WEB www.nrdllc.com

Please Observe The Following

NOTICE

Please review the information in this manual prior to installing and operating the ionizer in a work environment.

NOTICE

Please keep this document in a convenient place to refer to as a guide.

***WARNING**

If the Staticmaster® model 6221 is used in a manner not specified in this manual, the protection provided by its design may be impaired.

+*WARNING

This product is designed to be used by manufacturers for electronic industry applications and generates high voltage. Do not open and modify it, or operate without being completely assembled. High voltage internal parts can cause electrical shock.

+*WARNING

Before performing maintenance, turn the Staticmaster® model 6221 off, disconnect from the power source, and do not wear a wrist strap. High voltage internal parts can cause electrical shock.

***WARNING**

Do not use this product in a flammable atmosphere.

***WARNING**

Do not submerge in water. If liquid enters product, disconnect power cord and allow to thoroughly dry before using again.

***WARNING**

If there is any damage on power cable or communication cable, replace these prior to use.

***WARNING**

This product will generate ozone along with ions, if the user smells ozone, please refresh the air in working environment.



NRD USA / 2937 Alt Boulevard / PO Box 310 / Grand Island, NY 14072-0310
PHONE 716 773 7634 / **FAX** 716 773 7744 / **EMAIL** sales@nrdlc.com / **WEB** www.nrdllc.com

NRD Asia Pte. Ltd / 114 Lavender Street #08-90 CT Hub 2 Singapore 338729
PHONE +65 6679 1707 / **EMAIL** sales@NRDasia.com / **WEB** www.nrdllc.com

Description

Staticmaster[®] Model 6221 Overhead ionizer is designed to eliminate static. This system delivers a high volume of ionized air to neutralize static charge. The target's neutralization time will be optimal when placed 18" directly under the ionizing blower and will increase as the distance increases.

Features

- Auto ion balance system, within 0±10V
- Tungsten alloy emitter point assembly
- Discharge needle assembly and front finger guard can be disassembled, it is convenient to do the cleaning, maintenance and emitter pin replacement
- Equipped with alarm indicator
- Rapidly neutralizes static charges
- Built-in Emitter Point Cleaner
- Optional Airflow indicator ribbon

Installation:

1. Locate the fan:
 - 18" above the target to be neutralized for optimal performance, making sure that the airflow will not be restricted.
 - Near a working electrical outlet that is within reach of the 6 ft. detachable cord that is supplied with the ionizer.
2. The overhead ionizer is to be suspended securely by the attached lifting lugs.

Maintenance:

Setting the automatic cleaning timer (fan operating hours)

1. Press the set button (shown on page 4)
2. Change the hundred's digit by pressing the increase or decrease button.
3. Press the set button again to move to the tenth digit. Repeat step 2
4. Press the set button again to move to the ones digit. Repeat step 2. Press set to go back to the fan speed menu.
5. To turn off automatic cleaning; by setting timer to H000.

Locking out/Unlock the control panel

1. Press and hold both fan decrease and fan increase speed buttons for 5 seconds. This will toggle the control panel from lock (pass) or unlock (pass).

Manually cleaning the fan assembly: Use caution during this process because the emitter points are very sharp

1. Unplug the power cord from unit.
2. Push tab on top of front finger guard assembly.



3. Remove front finger guard.
4. Rotate emitter point assembly Counter clockwise 1/8



of a turn and remove assembly.

5. Clean the emitter point assembly with a dust free cloth dipped in alcohol and anti-static brush.
6. Clean internal fan parts with a dust free cloth dipped in alcohol and anti-static brush. Be careful of wire in as-



sembly.

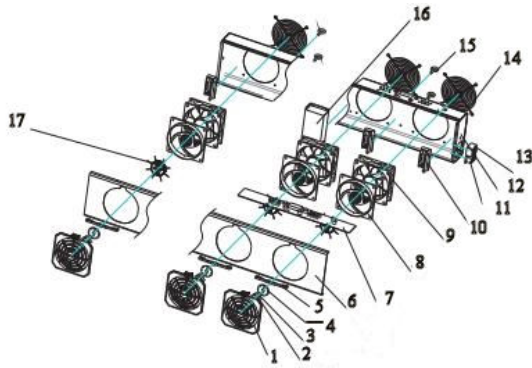
7. Place emitter point assembly with the word free at 11 o'clock and rotate clockwise 1/8 of a turn until assembly is secured.
8. Insert the bottom of front finger guard assembly first, ensure the safety latch is inserted correctly, then push gently on the top until the top tab snaps into place.
9. Plug the power cord back in and place back into service.



NRD USA / 2937 Alt Boulevard / PO Box 310 / Grand Island, NY 14072-0310
PHONE 716 773 7634 / FAX 716 773 7744 / EMAIL sales@nrdlc.com / WEB www.nrdllc.com

NRD Asia Pte. Ltd / 114 Lavender Street #08-90 CT Hub 2 Singapore 338729
PHONE +65 6679 1707 / EMAIL sales@NRDasia.com / WEB www.nrdllc.com

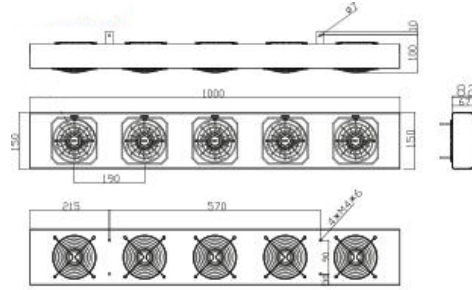
Specifications:



Parts Diagram:

1. Front cover
2. Cleaning brush motor assembly
3. Magnet
4. Motor Cover
5. Cleaning Brush
6. Housing Cover
7. Control Panel
8. Emitter point Assembly mounting bracket
9. Fan
10. Fan Control Board
11. Ethernet Connections
12. Power Socket
13. Housing
14. Fan Rear Finger Guard
15. Lifting Lugs
16. Power Supply
17. Emitter point Assembly

Dimensions:



Technical Specifications:

Model: 6221

Input voltage: AC 110V/ 60 Htz or 220V/50 Htz

Technology: Corona

Ion Balance: 0 ± 10 V

Decay Time: 2.4 Seconds, ± 1000 V to 100V, ANSI/ESD Association STM 3.1

Ozone generated ppm: ≤ 0.004 ppm (measured at 150 mm)

Applied environment temperature: 32-104°F

Applied environment humidity: 30%-70% Rh (no condensation)

Dimensions: 31.4 in x 5.91 in x 6.30 in (800 mm x 150 mm x 160 mm)

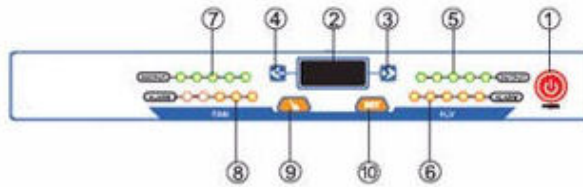
Weight: 10.44 lbs (4.74 kg)



NRD USA / 2937 Alt Boulevard / PO Box 310 / Grand Island, NY 14072-0310
PHONE 716 773 7634 / FAX 716 773 7744 / EMAIL sales@nrdllc.com / WEB www.nrdllc.com

NRD Asia Pte. Ltd / 114 Lavender Street #08-90 CT Hub 2 Singapore 338729
PHONE +65 6679 1707 / EMAIL sales@NRDasia.com / WEB www.nrdllc.com

CONTROL PANEL



| | | | | |
|--------------------|---------------------|------------------------|---------------------------|---------------------|
| 1. Power Button | 2. LED Display | 3. Fan Increase button | 4. Fan Decrease button | 5. H.V Normal Light |
| 6. H.V error light | 7. Fan Normal light | 8. Fan Error light | 9. Manual cleaning button | 10. Set button |

Limited Warranty

NRD expressly warrants that for a period of one (1) year from the time of purchase, the ionizer will be free of defects in material (parts) and workmanship (labor). Within the warranty period, the Ionizer will be tested, repaired, or replaced at discretion of NRD, free of charge. Any ionizer under warranty should be shipped prepaid to the NRD factory. Call Customer Service at (716) 773-7634 for a Return Authorization number and shipping instructions. Include a copy of your original packing slip, invoice, or other proof of purchase date.

If the ionizer is out of warranty, NRD LLC will quote repair charges necessary to bring your ionizer up to factory standards.

Warranty Exclusions

The forgoing express warranty is made in lieu of all other product warranties, expressed and implied, including merchantability and fitness for a particular purpose that is specifically disclaimed. The express warranty will not apply to defects or damage due to accidents, neglect, misuse, alterations, operator error, or failure to properly maintain, clean or repair products.

Limit of Liability

The user shall determine the suitability of the product for their intended use, and the user assumes all risk and liability whatsoever in connection therein.

Device disposal



The Staticmaster® model 6221 device should not be placed in household waste bins. Please check local regulations for information about the disposal of electronic products in your area.



NRD USA / 2937 Alt Boulevard / PO Box 310 / Grand Island, NY 14072-0310
 PHONE 716 773 7634 / FAX 716 773 7744 / EMAIL sales@nrdlc.com / WEB www.nrdllc.com

NRD Asia Pte. Ltd / 114 Lavender Street #08-90 CT Hub 2 Singapore 338729
 PHONE +65 6679 1707 / EMAIL sales@NRDasia.com / WEB www.nrdllc.com