

Staticmaster® Model 6216 Ionizing Blower



Contents

Precautions	2
1. Features and Descriptions	3
2. Installation	3
3. Maintenance	3
4. Control Panel Button Descriptions	4
5. Specifications	5
6. Facility Monitoring System Point	5
7. Drawing	5
8. Warranty	6



NRD USA / 2937 Alt Boulevard / PO Box 310 / Grand Island, NY 14072-0310
PHONE 716 773 7634 / **FAX** 716 773 7744 / **EMAIL** sales@nrllc.com / **WEB** www.nrllc.com

NRD Asia Pte. Ltd / 114 Lavender Street #08-90 CT Hub 2 Singapore 338729
PHONE +65 6679 1707 / **EMAIL** sales@NRDasia.com / **WEB** www.nrllc.com

Please Observe The Following

NOTICE

Please review the information in this manual prior to installing and operating the ionizer in a work environment.

NOTICE

Please keep this document in a convenient place to refer to as a guide.

***WARNING**

If the Staticmaster® is used in a manner not specified in this manual, the protection provided by its design may be impaired.

+*WARNING

This product is designed to be used by manufacturers for electronic industry applications and generates high voltage. Do not open and modify it, or operate without being completely assembled. High voltage internal parts can cause electrical shock.

+*WARNING

Before performing maintenance, turn the Staticmaster® off, disconnect from the power source, and do not wear a wrist strap. High voltage internal parts can cause electrical shock.

***WARNING**

Do not use this product in a flammable atmosphere.

***WARNING**

Do not submerge in water. If liquid enters product, disconnect power cord and allow to thoroughly dry before using again.

***WARNING**

If there is any damage on power cable or communication cable, replace these prior to use.

***WARNING**

This product will generate ozone along with ions, if the user smells ozone, please refresh the air in working environment.



NRD USA / 2937 Alt Boulevard / PO Box 310 / Grand Island, NY 14072-0310
PHONE 716 773 7634 / **FAX** 716 773 7744 / **EMAIL** sales@nrdllc.com / **WEB** www.nrdllc.com

NRD Asia Pte. Ltd / 114 Lavender Street #08-90 CT Hub 2 Singapore 338729
PHONE +65 6679 1707 / **EMAIL** sales@NRDasia.com / **WEB** www.nrdllc.com

Description

The Staticmaster® Ionizing blower Model 6216 produces an airflow that is rich in both positive and negative ions. Directing the airflow of the blower onto an object that has a static charge will neutralize the charge.

The ionizing blower is a portable ionized air blower. It uses a small fan to produce airflow. The volume of airflow is controlled by a seven position speed control switch, which provides a wide range of airflow settings. The high voltage is applied to a circular arrangement of tungsten emitter points, which results in an intense alternating electric field at the tip of the emitter points. It is this electric field that creates alternating polarity ions in the airflow. To assure that the unit is working properly, the high voltage is monitored by an ionization indicator lamp.

The blower also features a built-in emitter point cleaner. Using the point cleaner takes only seconds. Cleaning the emitter points on a periodic basis prevents the build-up of airborne debris all electrical ionizers are prone to. This keeps your blower working in top form for the life of the unit.

The ionizing blower was designed for use with sensitive electronic components, where electrostatic discharge is a problem. The ionizing blower can also be used where static electricity causes problems such as: attraction of dirt to product, misalignment of small parts due to electrostatic “jumping” and undesirable adhesion of plastic films due to electrostatic charge.

Features

- Small, lightweight and portable
- Auto ion balance system, within $0\pm 10V$
- Tungsten alloy emitter point assembly
- Discharge needle assembly and front finger guard can be disassembled, it is convenient to do the cleaning, maintenance and emitter pin replacement
- Equipped with alarm indicator
- Rapidly neutralizes static charges
- Built-in Emitter Point Cleaner
- Faculty monitoring system output
- Optional Airflow indicator ribbon

Installation:

1. Locate the fan:
 - Fan can located up to 48 inches away from the target to be neutralized for optimal performance, making sure that the airflow will not be restricted.
 - The device is designed for easy installation; the base can be fixed on a surface, or mounted on the wall, using M6 size screw.
 - Connect the DC power plug to the main unit, and then plug the power cord into the AC outlet.

Maintenance:

Setting the automatic cleaning timer (fan operating hours)

1. Press the set button (shown on page 4).
2. Change the hundreds' digit by pressing the increase or decrease button.
3. Press the set button again to move to the tenths' digit. Repeat step 2.
4. Press the set button again to move to the ones' digit. Repeat step 2. Press set to go back to the fan speed menu.
5. To turn off automatic cleaning; by setting timer to H000.

Locking out/Unlock the control panel

1. Press and hold both fan decrease and fan increase speed buttons for 5 seconds. This will toggle the control panel from lock (lock) or unlock (pass).



NRD USA / 2937 Alt Boulevard / PO Box 310 / Grand Island, NY 14072-0310
PHONE 716 773 7634 / FAX 716 773 7744 / EMAIL sales@nrllc.com / WEB www.nrllc.com

NRD Asia Pte. Ltd / 114 Lavender Street #08-90 CT Hub 2 Singapore 338729
PHONE +65 6679 1707 / EMAIL sales@NRDasia.com / WEB www.nrllc.com

Manually cleaning the fan assembly: Use caution during this process because the emitter points are very sharp

1. Unplug the power cord from unit.



2. Push tab on top of front finger guard assembly.

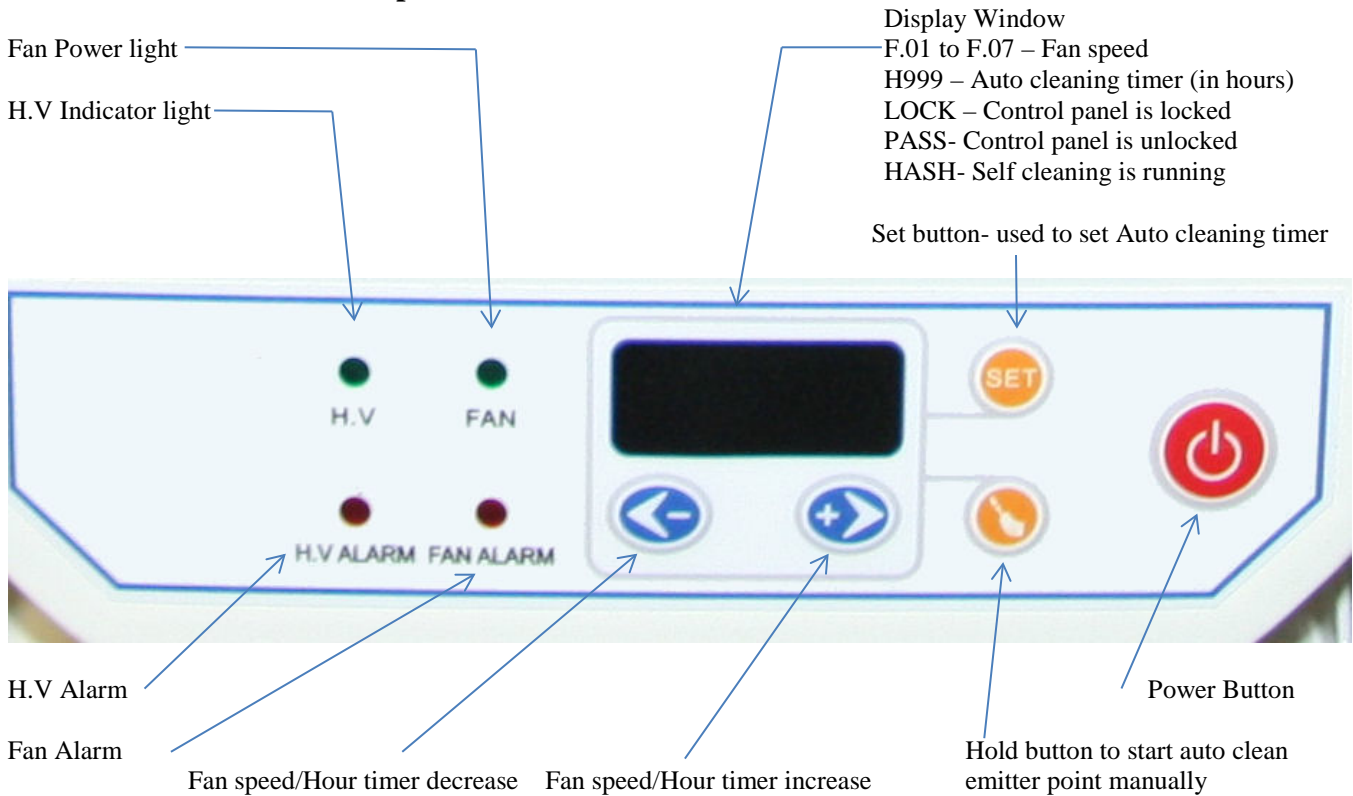


3. Remove front finger guard.



4. Rotate emitter point assembly Counter clockwise 1/8 of a turn and remove assembly
5. Clean the emitter point assembly with a dust free cloth dipped in alcohol and anti-static brush
6. Clean internal fan parts with a dust free cloth dipped in alcohol and anti-static brush. Be careful of wire in assembly.
7. Place emitter point assembly with the word free at 11 o'clock and rotate clockwise 1/8 of a turn until assembly is secured.
8. Insert the bottom of front finger guard assembly first, ensure the safety latch is inserted correctly, then push gently on the top until the top tab snaps into place.
9. Plug the power cord back in and place back into service.

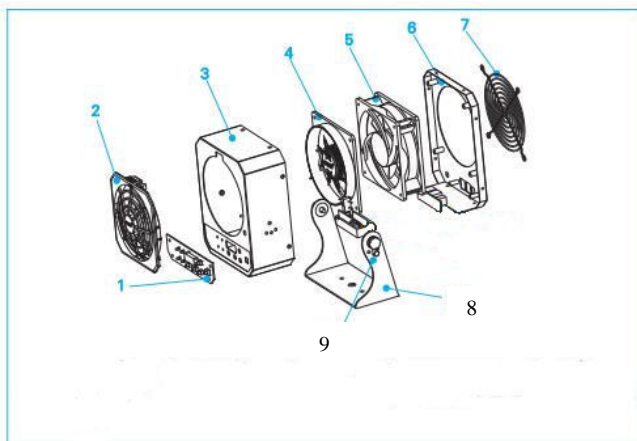
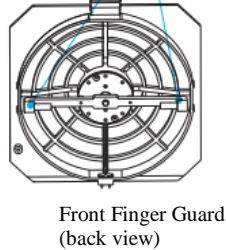
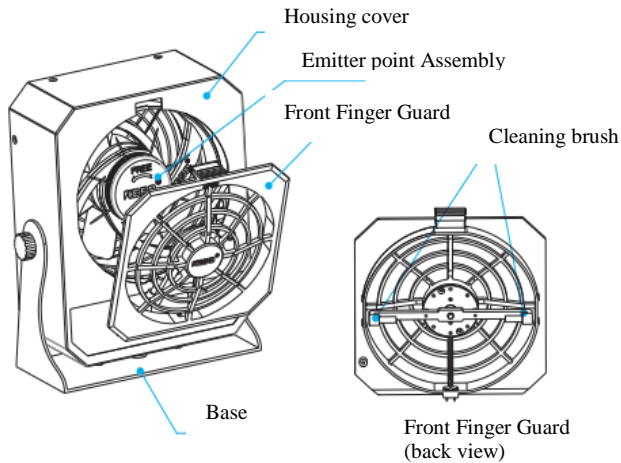
Control Panel Button Description:



NRD USA / 2937 Alt Boulevard / PO Box 310 / Grand Island, NY 14072-0310
PHONE 716 773 7634 / FAX 716 773 7744 / EMAIL sales@nrllc.com / WEB www.nrllc.com

NRD Asia Pte. Ltd / 114 Lavender Street #08-90 CT Hub 2 Singapore 338729
PHONE +65 6679 1707 / EMAIL sales@NRDasia.com / WEB www.nrllc.com

Specifications:



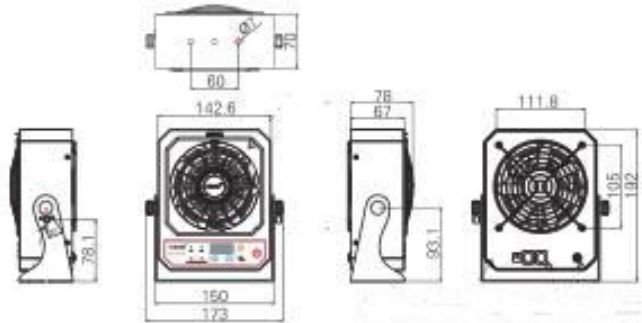
Parts Diagram:

1. Control Panel/Indicator Lights
2. Front Finger Guard Cover/ Cleaning Brush
3. Housing Cover
4. Emitter Point Assembly
5. Fan
6. Back cover
7. Rear Finger Guard
8. Adjustable Base
9. Thumb screw

Facility Monitoring System Pinout:

TERMINALS	
1	HV ALARM
2	NOTUSE
3	CLEAN BEGIN
4	POWER DC+24V
5	POWER DC 0V
6	FAN ALARM

Dimensions:



Technical Specifications:

Model: 6216

Input voltage: DC 24V

Technology: Corona

Ion Balance: 0 ± 10 V

Ozone generated ppm: ≤ 0.004 ppm (measured at 50 mm)

Decay Time: 2.2 Seconds, ± 1000 V to 100V, ANSI/ESD Association STM 3.1

Applied environment humidity: 15%-75% Rh (no condensation)

Dimensions: 7.56in x 6.81 in x 3.24 in (192 mm x 173 mm x 82.3 mm)

Weight: 3.3 lbs (1.5 kg)



NRD USA / 2937 Alt Boulevard / PO Box 310 / Grand Island, NY 14072-0310
 PHONE 716 773 7634 / FAX 716 773 7744 / EMAIL sales@nrllc.com / WEB www.nrllc.com

NRD Asia Pte. Ltd / 114 Lavender Street #08-90 CT Hub 2 Singapore 338729
 PHONE +65 6679 1707 / EMAIL sales@NRDasia.com / WEB www.nrllc.com

Limited Warranty

NRD expressly warrants that for a period of one (1) year from the time of purchase, the ionizer will be free of defects in material (parts) and workmanship (labor). Within the warranty period, the Ionizer will be tested, repaired, or replaced at discretion of NRD, free of charge. Any ionizer under warranty should be shipped prepaid to the NRD factory. Call Customer Service at (716) 773-7634 for a Return Authorization number and shipping instructions. Include a copy of your original packing slip, invoice, or other proof of purchase date.

If the ionizer is out of warranty, NRD LLC will quote repair charges necessary to bring your ionizer up to factory standards.

Warranty Exclusions

The forgoing express warranty is made in lieu of all other product warranties, expressed and implied, including merchantability and fitness for a particular purpose that is specifically disclaimed. The express warranty will not apply to defects or damage due to accidents, neglect, misuse, alterations, operator error, or failure to properly maintain, clean or repair products.

Limit of Liability

The user shall determine the suitability of the product for their intended use, and the user assumes all risk and liability whatsoever in connection therein.



NRD USA / 2937 Alt Boulevard / PO Box 310 / Grand Island, NY 14072-0310
PHONE 716 773 7634 / **FAX** 716 773 7744 / **EMAIL** sales@nrllc.com / **WEB** www.nrllc.com

NRD Asia Pte. Ltd / 114 Lavender Street #08-90 CT Hub 2 Singapore 338729
PHONE +65 6679 1707 / **EMAIL** sales@NRDasia.com / **WEB** www.nrllc.com