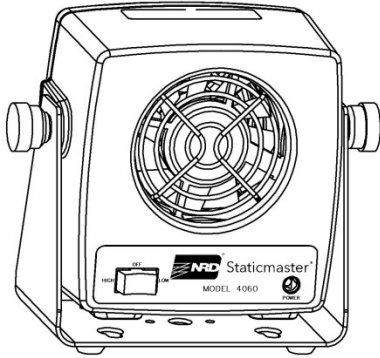


Installation / Operation / Maintenance

Staticmaster® Ionizing Blower Model 4060



Overview

The Staticmaster® ionizing blower is used to create airflow across the Staticmaster® model 1U400 ion cells. This system delivers a high volume of ionized air to neutralize static charge. The target's neutralization time will be optimal when placed 12" to 48" directly in front of the ionizing blower and will increase as the distance increases. The Staticmaster® comes with an adjustable stand so that it can be positioned and locked for optimal use.

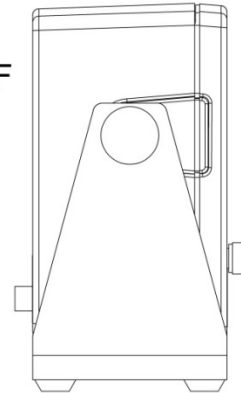
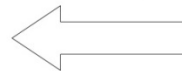
Installation

1. Locate the Staticmaster®:
 - 12" to 48" from the target to be neutralized for optimal performance, making sure that the airflow will not be restricted.
 - A working electrical outlet within reach of the 4' long detachable cord that is supplied with the Staticmaster®.
2. The Staticmaster® Model 4060 can be installed in three different ways:
 - Placed or secured on a flat surface such as a bench top.
 - Wall or shelf mounted to keep valuable bench space free for other purposes and equipment.
 - Attached to the NRD articulated arm for movable positioning.

Note: The Staticmaster® model 1U400 ion cells are sold separately. If this is your initial Staticmaster® installation the Staticmaster® model 1U400 ion cells will need to be installed. Refer to the Staticmaster® model 1U400 Installation section.

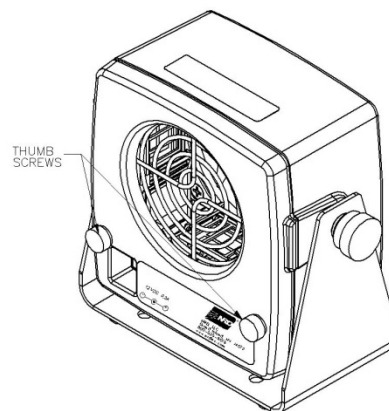
3. Connect the barrel plug of the AC adapter to the receptacle in the back of the Staticmaster®.
4. Connect the AC adapter to a 120 VAC, 60 Hz electrical outlet.
5. Turn the Staticmaster® "ON" by pressing the switch, located on the front of the unit, to high or low fan speed. The green LED, located on the front of the unit, will illuminate indicating the unit has been activated.
6. Adjust the Staticmaster® to direct the airflow into the work area.

DIRECTION OF
AIR FLOW



Staticmaster® model 1U400 Installation

1. Unplug AC adapter from the electrical outlet.
2. Remove back cover by unscrewing the two (2) thumb screws and pulling the cover out and up.
3. Remove the mid plate.

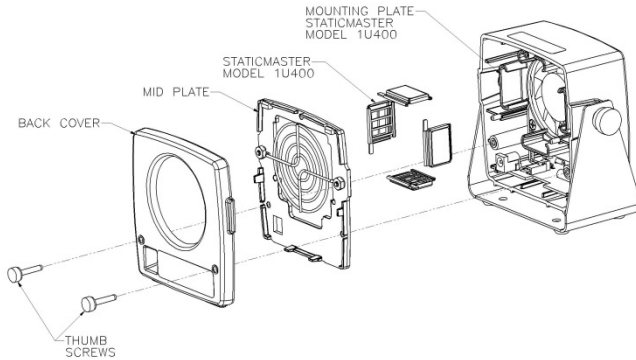


2937 Alt Boulevard / PO Box 310 / Grand Island, NY 14072-0310
PHONE 716 773 7634 / FAX 716 773 7744 / EMAIL sales@nrllc.com / WEB www.nrllc.com

Installation / Operation / Maintenance

Staticmaster® Ionizing Blower Model 4060

- Slide the Staticmaster® model 1U400 ion cells into slots in the mounting plate.
- Replace the mid plate.



- Replace back cover.
- Secure back cover and Staticmaster® model 1U400 ion cells in place with the two (2) thumb screws removed in step 2.
- Connect the AC adapter to a 120 VAC, 60 Hz electrical outlet.

Maintenance

- Calibration is not required.
- To ensure maximum static neutralization, the Staticmaster® model 1U400 ion cells must be replaced once a year regardless of usage.
- To ensure maximum fan performance, keep the fan blades and protective grids free of dust and dirt buildup.

Trouble Shooting Guide

Symptom	Probable Cause	Corrective Action
1. Static charges are not eliminated.	Ion cells may be out of date and need to be replaced. Possible oil contamination of ion cells. Ions generated are being recombined before they reach the charged parts.	Call NRD for ion cells replacement. Return ion cell to NRD for evaluation. Do not attempt to clean the device. Position the fan closer to the charged part.
2. Fan inoperative.	Loss of power.	Check all electrical connections.

Limited Warranty

NRD expressly warrants that for a period of one (1) year from the time of purchase, the ionizer will be free of defects in material (parts) and workmanship (labor). Within the warranty period, the ionizer will be tested, repaired, or replaced at discretion of NRD, free of charge. Any ionizer under warranty should be shipped prepaid to the NRD factory. Call Customer Service at (716) 773-7634 for a Return Authorization number and shipping instructions. Include a copy of your original packing slip, invoice, or other proof of purchase date.

If the ionizer is out of warranty, NRD LLC will quote repair charges necessary to bring your ionizer up to factory standards.

Warranty Exclusions

The forgoing express warranty is made in lieu of all other product warranties, expressed and implied, including merchantability and fitness for a particular purpose that is specifically disclaimed. The express warranty will not apply to defects or damage due to accidents, neglect, misuse, alterations, operator error, or failure to properly maintain, clean or repair products.

Limit of Liability

The user shall determine the suitability of the product for their intended use, and the user assumes all risk and liability whatsoever in connection therein.

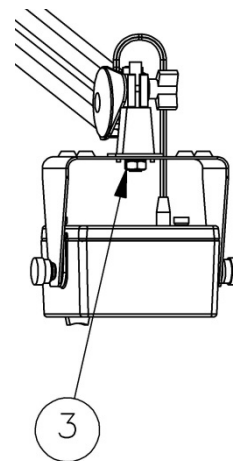
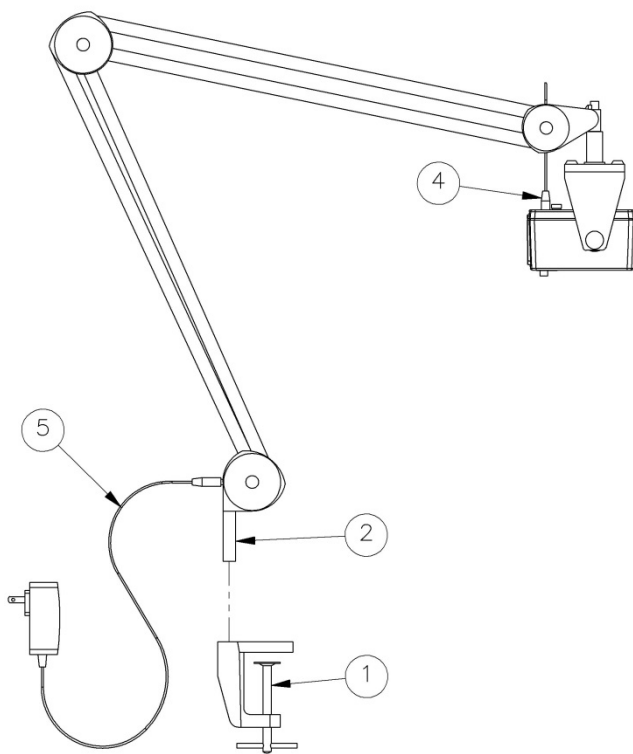


2937 Alt Boulevard / PO Box 310 / Grand Island, NY 14072-0310
PHONE 716 773 7634 / FAX 716 773 7744 / EMAIL sales@nrllc.com / WEB www.nrllc.com

Installation / Operation / Maintenance

Articulated Arm Option for the Staticmaster® Ionizing Blower Model 4060

1. Secure the clamp to the desired flat surface by tightening the hand screw. Ensure the clamp is inserted to its full depth onto the attachment surface for maximum rigidity.
2. Insert protruding cylinder on end of the Articulated Arm into the hole in the top of the clamp.
3. Attach the Staticmaster® Model 4060 to the unsecured end of the Articulated Arm as follows: Remove the nut and washer located on the screw at the end of the arm. Align the screw and two (2) pins on the arm with the corresponding holes in the Staticmaster® base. Secure in place with the washer and nut previously removed using a 1/2" open end wrench.



4. Insert the electrical connector on the Arm into the receptacle on the back of the Staticmaster®.
5. Connect the AC adapter as follows: One end is inserted into the receptacle at the base of the Arm. The other end connects to a 120 VAC, 60 Hz electrical outlet.



2937 Alt Boulevard / PO Box 310 / Grand Island, NY 14072-0310
PHONE 716 773 7634 / FAX 716 773 7744 / EMAIL sales@nrllc.com / WEB www.nrdllc.com