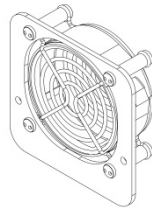


Instruction Manual for P-2062 Ionizer & Accessories



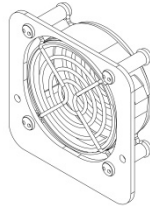
CONTENTS

1.0 Model P-2062 Ionizer	Page 1
2.0 Accessories	Page 2
2.1 Model 4067 Fan	
3.0 Troubleshooting	Page 3



NRD USA / 2937 Alt Boulevard / PO Box 310 / Grand Island, NY 14072-0310
PHONE 716 773 7634 / **FAX** 716 773 7744 / **EMAIL** sales@nrdllc.com / **WEB** www.nrdllc.com
NRD Asia Pte. Ltd / 114 Lavender Street #08-90 CT Hub 2 Singapore 338729
PHONE +65 6679 1707 / **EMAIL** sales@NRDasia.com / **WEB** www.nrdllc.com

1.0 P-2062 Ionizer



The P-2062 Ionizer is used to neutralize static electrical charges in static sensitive operations. The Ionizer is normally placed in an atmospheric pressure air stream so that the airflow delivers ions generated by the Ionizer to the work area. Charged parts that are placed in close proximity to the ion cell can also be effectively neutralized without the need of air movement.

1.1 Installation & Operation

- A. The P-2062 is to be installed in a customer supplied mounting fixture. Mount the P-2062 using the two 0.14” diameter mounting holes on the front plate. Locate in a suitable air stream to deliver the ions to the area to be neutralized.

Do not alter the P-2062 in any way that may compromise the integrity of the source. Do not drill holes, grind or file, tap holes, etc. to the P-2062.

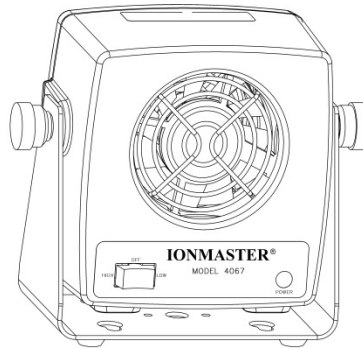
- B. Supply air movement through the ionizer to move the ions to the charged part. A fan or compressed air/nitrogen can be used. For parts that can be placed in close proximity (1”) from the grill openings, air movement may not be needed to effectively neutralize the charged part.



NRD USA / 2937 Alt Boulevard / PO Box 310 / Grand Island, NY 14072-0310
PHONE 716 773 7634 / FAX 716 773 7744 / EMAIL sales@nrdllc.com / WEB www.nrdllc.com
NRD Asia Pte. Ltd / 114 Lavender Street #08-90 CT Hub 2 Singapore 338729
PHONE +65 6679 1707 / EMAIL sales@NRDasia.com / WEB www.nrdllc.com

2.0 Accessories

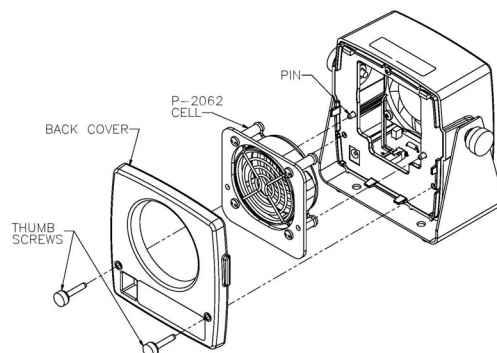
2.1 Model 4067 Staticmaster Small Ionizing Fan



The Model 4067 is used to create airflow through the Ionizer (model P-2062). This system delivers a high volume of ionized air to reduce charge on parts. The Fan is mounted on a swivel base and can be placed on a flat surface or bolted to a rigid surface.

Procedure to install a new P-2062 Ionizer:

- A. Unplug AC adapter from the electrical outlet.
- B. Remove two (2) thumb screws.
- C. Slide the model P-2062 into opening in middle plate; make sure holes in the P-2062 cell align with the pins protruding through middle plate.
- D. Replace back cover.
- E. Secure back cover and model P-2062 ion cell in place with the two (2) thumb screws removed in step 2.
- F. Connect the AC adapter to a 120 VAC, 60 Hz electrical outlet.



NRD USA / 2937 Alt Boulevard / PO Box 310 / Grand Island, NY 14072-0310
PHONE 716 773 7634 / **FAX** 716 773 7744 / **EMAIL** sales@nrdllc.com / **WEB** www.nrdllc.com
NRD Asia Pte. Ltd / 114 Lavender Street #08-90 CT Hub 2 Singapore 338729
PHONE +65 6679 1707 / **EMAIL** sales@NRDasia.com / **WEB** www.nrdllc.com



NRD USA / 2937 Alt Boulevard / PO Box 310 / Grand Island, NY 14072-0310
PHONE 716 773 7634 / **FAX** 716 773 7744 / **EMAIL** sales@nrdllc.com / **WEB** www.nrdllc.com

NRD Asia Pte. Ltd / 114 Lavender Street #08-90 CT Hub 2 Singapore 338729
PHONE +65 6679 1707 / **EMAIL** sales@NRDasia.com / **WEB** www.nrdllc.com

Maintenance

- The only maintenance required is the annual replacement of the Ionizer to ensure maximum effectiveness of the ionizer. It is required to return the expired device to NRD for proper disposal.
- Calibration is not required.

3.0 Trouble Shooting Guide

<u>Symptom</u>	<u>Probable Cause</u>	<u>Corrective Action</u>
1. Static charges are not eliminated	<p>Ion cell may be out of date and need replacement.</p> <p>Possible oil contamination of ion cell.</p> <p>Ions generated are being recombined before they reach the charged surface.</p>	<p>Call NRD for Ion Cell replacement.</p> <p>Return cell to NRD for evaluation. Do not attempt to clean the device.</p> <p>Position the fan closer to the charged part.</p>
2. Fan does not turn on	<p>No power.</p> <p>Blown fuse internal to fan.</p>	<p>Check outlet and breakers.</p> <p>Check for visible damage to power cord. Return fan to NRD for evaluation.</p>



NRD USA / 2937 Alt Boulevard / PO Box 310 / Grand Island, NY 14072-0310
PHONE 716 773 7634 / **FAX** 716 773 7744 / **EMAIL** sales@nrdllc.com / **WEB** www.nrdllc.com

NRD Asia Pte. Ltd / 114 Lavender Street #08-90 CT Hub 2 Singapore 338729
PHONE +65 6679 1707 / **EMAIL** sales@NRDasia.com / **WEB** www.nrdllc.com