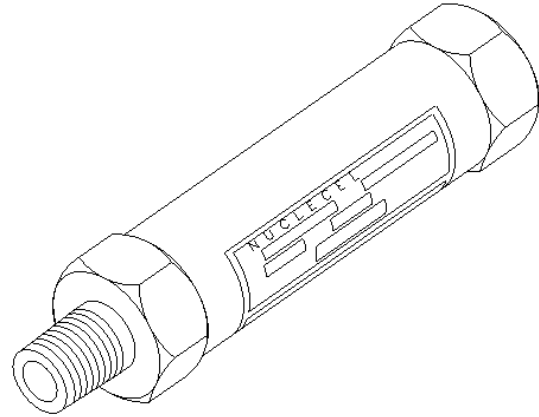


# Installation / Operation / Maintenance Staticmaster® End-of-Line Ionizers Models P-2031 and P-2031SS

## Usage

The Staticmaster® End-of-Line Ionizers neutralize static charges and remove dust and other foreign particulate by providing a powerful stream of ionized gas across affected parts. They are designed for applications where a high volume of gas at low pressure is desirable. The Model P-2031SS is for usage where stainless construction is important.



## Installation & Operation

1. The Staticmaster® End-of-Line Ionizer can be operated with the flow of gas in either direction. One end of the Ionizer is equipped to connect to a 1/4" NPT male fitting and the other end to a 1/4" NPT female fitting. Provide either fitting at the end of the gas supply hose to be connected to the Ionizer. The gas can be air or an inert gas.
 

**Note:** Ensure that the gas supply is properly filtered and that attached hoses are clean and dry.
2. Attach the Ionizer to the 1/4" NPT hose fitting and tighten securely.
3. Position the Ionizer as desired.
4. Apply gas pressure and regulate it to the desired level. Do not exceed an inlet pressure of 100 psig. A powerful stream of ionized gas will flow over objects and quickly neutralize electrostatic charges and remove dust and other foreign particulate clinging due to static attraction.
5. To ensure maximum static removal efficiency, the Ionizer must be replaced annually regardless of use. The replacement date is one year after the date manufactured (printed on each Ionizer). NRD will remind customers of the replacement date.

## Trouble Shooting Guide

Symptom	Probable Causes	Corrective Action
1. Static charges are not eliminated	Ionizer may be out of date and need replacement	Call NRD for a replacement Ionizer
2. Air flow is reduced	Upstream filter(s) are plugged and/or gas pressure is low	Replace upstream filter(s) and/or increase gas pressure (100 psig maximum)

**For additional assistance call NRD Customer Service toll-free at  
1-800-525-8076**



NRD USA / 2937 Alt Boulevard / PO Box 310 / Grand Island, NY 14072-0310  
PHONE 716 773 7634 / FAX 716 773 7744 / EMAIL sales@nrdlc.com / WEB www.nrdllc.com

NRD Asia Pte. Ltd / 114 Lavender Street #08-90 CT Hub 2 Singapore 338729  
PHONE +65 6679 1707 / EMAIL sales@NRDAsia.com / WEB www.nrdllc.com