

NucleJet™ II

Ion Air Gun (Model P-2035-0810)

- More effective over large surface areas
- Rugged, hand-held Ionizer
- Ideal for molding and finishing operations

Eliminating static to reduce dust attraction can result in less rework and fewer dust related defects for higher profitability. **NucleJet™ II** offers a highly reliable, anti-static blow-off gun to discharge critical surfaces before key molding and finishing operations. It is ideal for molders and laminators of large objects to eliminate static using a regulated flow of clean, dry compressed air. This powerful ionized air gun is used in conjunction with usual surface prep techniques. For surface blow off, we recommend the use of our Model P-2021 ionizer to provide high velocity ionized air to remove surface debris.



The **NucleJet™ II** air amplifying design actually pulls room air in from the backside for increased air delivery with minimal compressed air consumption. Our proprietary technology uses a safe, self-powered, alpha energy element to create a blast of ionized air. The **NucleJet™ II** features a rugged, hand-held, design for ease of use and high reliability in factory floor environments. The P-2035 ionizing cell is easily replaced once a year to ensure a continued high level of static elimination.

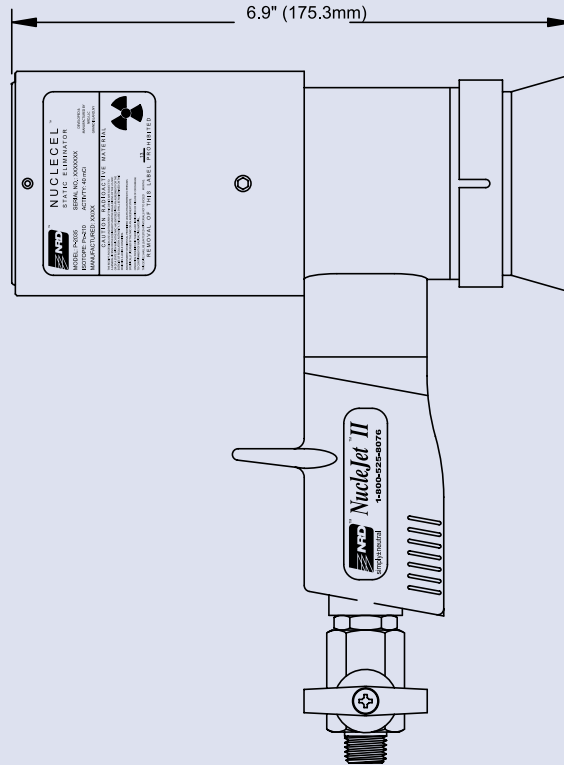
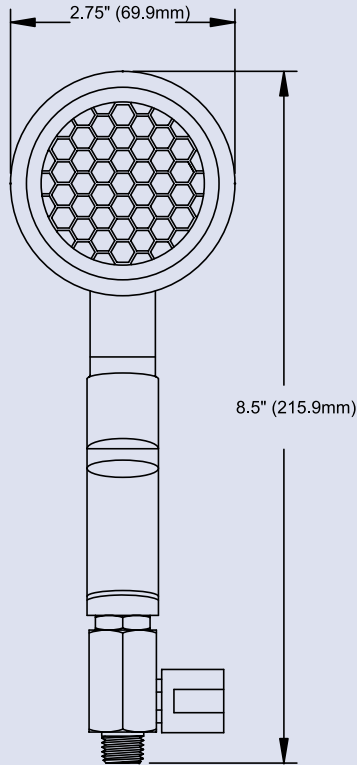
The **NucleJet™ II** does not require electrical connections, power supply or cables of any kind. Because the Ion Air Gun requires only compressed air, it can be adapted to fit a number of job and location requirements for maximum flexibility in applications such as automotive, manufacturing, fiberglass reinforced plastic (FRP) products, furniture, boat and yacht manufacturing and more.



2937 Alt Boulevard / PO Box 310 / Grand Island, NY 14072-0310
TOLL FREE 800 525 8076 / PHONE 716 773 7634 / FAX 716 773 7744 / EMAIL sales@nrdinc.com / WEB www.nrdinc.com

NucleJet™ II

Ion Air Gun (Model P-2035-0810)



Distance	Decay Time (seconds)		
	@ 35 psig	@ 45 psig	@ 55 psig
12"	0.5	0.4	0.4
18"	0.7	0.6	0.6
24"	1.0	0.9	0.8

TESTING METHOD: ESD Association Standard 3.1

Note on Ordering

To maintain peak performance and conform to government regulations, ionizers are available on a one-year lease. Notification of lease expiration and an offer to renew will be given prior to the end of each year's lease. Upon arrival of a replacement, the expired ionizer is returned to NRD LLC.

NucleJet™ II (Model P-2035-0810)

Weight: 1.85 LB. (.84 Kg)

Gas: Clean, dry compressed air, Nitrogen or inert gas

Operating Pressure: 20-60 psi

Air Consumption: 12 CFM @ 60 psi

Line Connections: 1/4" NPT, female

Note on Ion Source

All NRD ion sources are encapsulated in precious metals by means of a patented process. This results in a static eliminator which resists oxidation, solvents, heat, cold and vibration.

Notice: NRD warrants that these materials are reasonably fit for the purpose described. We believe that specifications and technical information presented are based on test methods that produce accurate results. The foregoing limited warranty is expressly made in lieu of, and no other express and no implied warranty of merchantability or fitness for a particular purpose is made. NRD, LLC, will not be liable for incidental, consequential, special, exemplary or punitive damages. The limited warranty will not apply to defects or damage due to accidents, neglect, misuse, alterations, error or failure to properly maintain, clean or repair products.



2937 Alt Boulevard / PO Box 310 / Grand Island, NY 14072-0310

TOLL FREE 800 525 8076 / PHONE 716 773 7634 / FAX 716 773 7744 / EMAIL sales@nrdinc.com / WEB www.nrdinc.com