

Staticmaster®

EOL Ionizers

NRD's End-of-line (EOL) Ionizer and Ionizer Gun Kit provides you with the flexibility to improve quality and increase process yields in a wide variety of industrial applications. Both of these ionizers are designed to be easy to install and use, low maintenance, and an effective means of static control.



EOL Ionizer (Model 6400)

The model **6400** End-of-Line ionizer is a simple, reliable, and effective static eliminator suitable for a variety of industrial applications. It is easy to install on any clean, dry source of compressed air. Our unique design offers a replaceable emitter pin assuring optimal static removal efficiency, as well as, shielded cable to reduce the effects of RFI and EMI. This device requires the use of model 6055 5.5kV Power Supply, sold separately.



Ionizing Blow-off Gun (Model 6410)

The model **6410** Ionizing Blow-off Gun is a high performance hand held static eliminator that both cleans as it removes the static charge from the affected part or surface. The model 6410 is ruggedly designed yet lightweight to reduce operator fatigue. Our design incorporates a unique ergonomic handle, removable emitter pin, and shielded cable. This device requires the use of model 6055 5.5kV Power Supply, sold separately.



2937 Alt Boulevard / PO Box 310 / Grand Island, NY 14072-0310
TOLL FREE 800 525 8076 / PHONE 716 773 7634 / FAX 716 773 7744 / EMAIL sales@nrdinc.com / WEB www.nrdinc.com

Staticmaster®

EOL Ionizers (Models 6400 & 6410)

Model 6400 End of Line Ionizer Specifications

Weight: 0.7 lb.

Material: Aluminum

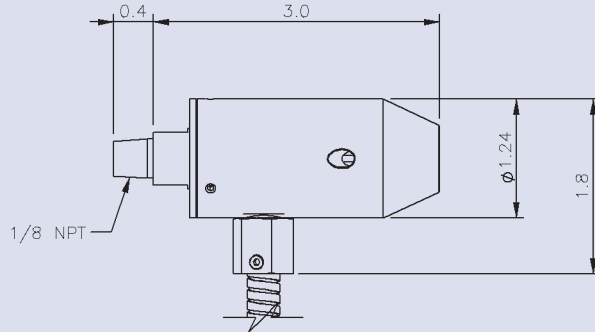
Gas: Clean, dry compressed air

Recommended operating pressure: 10 to 30 psig

High voltage cable: 40 kVDC, 80°C. Standard length 72" shielded cable, terminated in a spring-loaded connector to mate with the model 6055 Power Supply or other compatible power supply.

Line Connection: 1/8" - NPT male thread

Decay Time: 0.5 seconds (ESD Association 3.1 @ 10 psig, 12" distance, 1,000 to 100 V)



Pressure Supply psig	Air Consumption SCFM	Dissipates 1,000 V seconds
10	12	0.5
20	19	0.4
30	25	0.3

Model 6410 AC Blow Gun Specifications

Weight: 1.3 lb.

Material: Aluminum

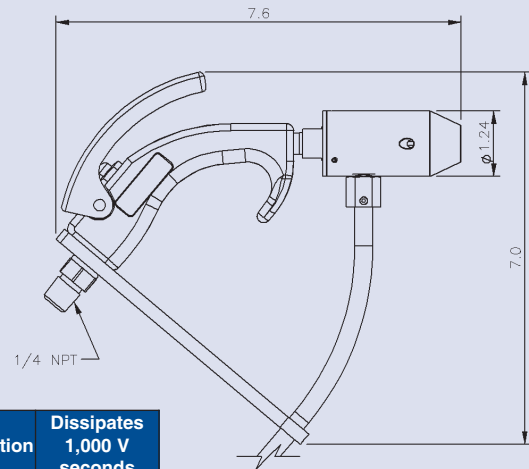
Gas: Clean, dry compressed air

Recommended operating pressure: 10 to 60 psig

High voltage cable: 40 kVDC, 80°C. Standard length 72" shielded cable, terminated in a spring-loaded connector to mate with the model 6055 Power Supply or other compatible power supply.

Line Connection: 1/4" - NPT male thread

Decay Time: 2.4 seconds (ESD Association 3.1 @ 10 psig, 12" distance, 1,000 to 100 V)



Pressure Supply psig	Air Consumption SCFM	Dissipates 1,000 V seconds
10	4	2.4
20	6	1.3
30	8	0.9
40	9	0.7
50	11	0.6
60	13	0.5

Notice: NRD warrants that these materials are reasonably fit for the purpose described. We believe that specifications and technical information presented are based on test methods that produce accurate results. The foregoing limited warranty is expressly made in lieu of, and no other express and no implied warranty of merchantability or fitness for a particular purpose is made. NRD, LLC, will not be liable for incidental, consequential, special, exemplary or punitive damages. The limited warranty will not apply to defects or damage due to accidents, neglect, misuse, alterations, error or failure to properly maintain, clean or repair products.



2937 Alt Boulevard / PO Box 310 / Grand Island, NY 14072-0310

TOLL FREE 800 525 8076 / PHONE 716 773 7634 / FAX 716 773 7744 / EMAIL sales@nrdinc.com / WEB www.nrdinc.com